

# Know Your Steel

Steel Mass Reference and Product Catalogue

JANUARY 2020 | Edition 1



Hot Rolled Structural | Tubular | Merchant Bar | Pipe & Fittings | Plate | Sheet  
Reinforcing Mesh & Bar | Aluminium | Building Products | Fencing  
Rural Products | Roofing & Rainwater | Accessories

# Know Your Steel Mass Book

## Foreword

This publication has been prepared by **InfraBuild Steel Centre** which is an operating business of **InfraBuild Trading Pty Limited** (ABN 50 007 519 646). The aim of this booklet is to provide customers with useful information regarding steel and accessory products. Every effort has been made to ensure that the information contained in this publication is accurate. However, it should be noted that the company cannot accept responsibility for errors or omissions, or for changes which have taken place since the printing of this edition. Unless required by law, the company cannot accept any responsibility for any loss, damage or consequence resulting from the use of this publication. The preferred range of sizes only has been covered, some of these sizes may be subject to minimum order quantities, and every care should be taken to establish availability before proceeding based on the specifications provided. Additional information concerning non-preferred sizes, range of specifications available, or related data not included in this booklet is available on request through **InfraBuild Steel Centre Branches**.

**NOTE:** Mass Calculations have been based on a mass for carbon steel of 7,850 kg/m<sup>3</sup> rounded off and includes a 2.5 per cent rolling tolerance where applicable.

## Trademarks

- Austube Mills Pty Ltd (ABN 21 123 666 679) - DuraGal, DuraGalPlus, DuraGalClear, DuraPrimed
- Onesteel Manufacturing Pty Ltd - 300PLUS
- InfraBuild Trading Pty Limited (ABN 50 007 519 646) - DuraGal Flooring System
- InfraBuild Construction Solutions Pty Limited (ABN 22 004 148 289) - HANDIMESH, ONEMESH, 500PLUS, UTEMESH
- BlueScope Steel Limited (ABN 16 000 011 058) - TruSpec, Xlerplate, Xlerplate Lite, Brightform, Blackform, Galvabond, Galvaskin, Zincaneal, Zinalume, Colorbond, LY-TEN, Lysaght, Longline 305, Multiclad, Easyclad, Quad 115 Hi Front, Trimline, Sheerline, Emiline, Half Round, Ranceline, Colonial, Novaline, Bondek, W-Dek, Neetascreen, Smartascreen, Miniscreen, Customscreen, Flatdek, Flatdek II, Firmlok, Headland, Manor Red, Jasper, Sandbank, Classic Cream, Surfsmist, Paperbark, Dune, Shale Grey, Windspray, Woodland Grey, Bushland, Pale Eucalypt, Wilderness, Cottage Green, Plantation, Blue Ridge, Deep Ocean, Night Sky
- Bisalloy Steels Pty Ltd (ABN 27 001 641 292) - Bisalloy® Wear, Bisalloy® Structural

- Stramit Corporation Pty Ltd (ABN 57 005 010 195) - Speed Deck Ultra, Corrugated, MonoClad, MegaClad, Longspan, Capacity Plus, Minirib, Mini Corry, PrimeForm, Edge Forma
- Illinois Tool Works Inc (ABN 48 052 404 092) - Galmet, Buildex, Teks, Shed Teks, Ripple Teks, AutoTeks, SuperTEKS, RoofZips, Hi-Teks, BattenZips, PolyZips, Pryda

## Range

### PLEASE NOTE:

- The product ranges shown in this book are an indicative range only.
- Some items may be subject to minimum order quantities.

## Sources Of Information

- Liberty Steel - Product and Availability Guide - Hot Rolled Structural Steel
- Liberty Steel - Pricing and Availability Guide - Merchant Bar
- Austube Mills - Product and Availability Guide - Pipe and Tube Structural Products
- **InfraBuild Construction Solutions National Product and Services Catalogue**
- BlueScope Steel Hot Rolled Price Schedule
- BlueScope Steel Xlerplate Price Schedule
- BlueScope Steel Xlerplate Lite Schedule
- BlueScope Steel - Aluminium Catalogue
- BlueScope Steel - Steel Guide

## Terms & Conditions Of Sale

A full copy of **InfraBuild Terms & Conditions of Sale** is located at: [www.infrabuild.com](http://www.infrabuild.com)

## Our Purpose

We exist to build our customers' possibilities: to make their businesses stronger and more prosperous; to make their trucks and caravans safer; to assist their farms to be more productive; to contribute to more sustainable and secure futures. From large projects to small, those that build our nation and our communities, we partner with customers to build the businesses we work in and the homes we live in. We help our customers to fulfil their ambitions with peace of mind that comes from quality, compliant and traceable product supply and service solutions.

## We Understand

**InfraBuild Steel Centre** is Australia's largest vertically-integrated steel distribution businesses. With our extensive steel product knowledge and experience, our team helps our customers to find solutions to deliver the right outcomes for large or small projects, as well as ongoing steel supply requirements.

## We Make It Easier

**InfraBuild Steel Centre** is backed by a national and international supply network to ensure our customers receive the best level of service to support their needs. Our wide-ranging in-house processing capability reduces complexity for our customers to reliably deliver on one-off and repeatable requirements with accuracy to add value.

## We Deliver

**InfraBuild Steel Centres'** comprehensive branch and delivery network allows us to deliver to our customers how and when they want to receive product. Our integrated supply chain and network of industry partners means we can source a range of product to complement projects and deliver a complete supply solution.

## Our Products

Our range includes structural and tubular steel, reinforcing and merchant bar, sheet and plate as well as pipes, valves and fittings, flooring systems, rollform products, aluminium and a huge range of complementary products and accessories. We also have the ability to source local and international products with short lead times.

## Engineering & Design Optimisation

As part of the broader **InfraBuild** and **Liberty Steel** group of businesses, **InfraBuild Steel Centre** can draw on significant expertise to provide engineering and design optimisation solutions for our customers. Optimising materials for construction can assist with minimising risk while reducing waste and cost, and can also contribute to the sustainability credentials required for awarding **Green Star®** credit points.

## Our Processing Services

- Profile Cutting
- Oxy Cutting
- Plasma Cutting
- Flame Cutting
- Stitch Cutting
- Punching
- Drilling
- Shearing
- Stamping
- Notching
- Marking
- Tapping
- Slotting
- Coping
- Beveling
- Penetrations
- Counter Boring
- Counter Sinking
- Cut to Length
- Pack Cutting
- Cambering

## Compliance & Traceability

**InfraBuild** supplies products that are compliant with relevant Australian Standards. The quality of our products are checked by NATA endorsed testing laboratories. At all of our manufacturing sites, **InfraBuild** has third party accreditation to Quality Management System ISO 9001 and Environmental Management System ISO 14001. In addition, our hot rolled products are all produced at mills with **ACRS** third party accreditation ensuring certification for reinforcing, pre-stressing and structural steels. **InfraBuild Steel Centre** also supports the **Build With Standards** initiative undertaken by **InfraBuild** which aims to improve compliance and generate confidence in the quality, identification, certification and traceability of structural and reinforcing steels. Further information can be found at [www.infrabuild.com](http://www.infrabuild.com)



**Note:** **InfraBuild Steel Centre** reserve the right to change specifications without notice. Not all products are available at all **InfraBuild Steel Centre** branches. **InfraBuild Steel Centre** also has access to a wide network of products not necessarily listed in this book. Please check with your local **InfraBuild Steel Centre** branch for product availability.

**Note:** **InfraBuild Steel Centre** reserve the right to change specifications without notice. Not all products are available at all **InfraBuild Steel Centre** branches. **InfraBuild Steel Centre** also has access to a wide network of products not necessarily listed in this book. Please check with your local **InfraBuild Steel Centre** branch for product availability.

**Hot Rolled Structural | Tubular | Merchant Bar | Pipe & Fittings | Plate | Sheet Reinforcing Mesh & Bar | Aluminium | Building Products | Fencing Rural Products | Roofing & Rainwater | Accessories**

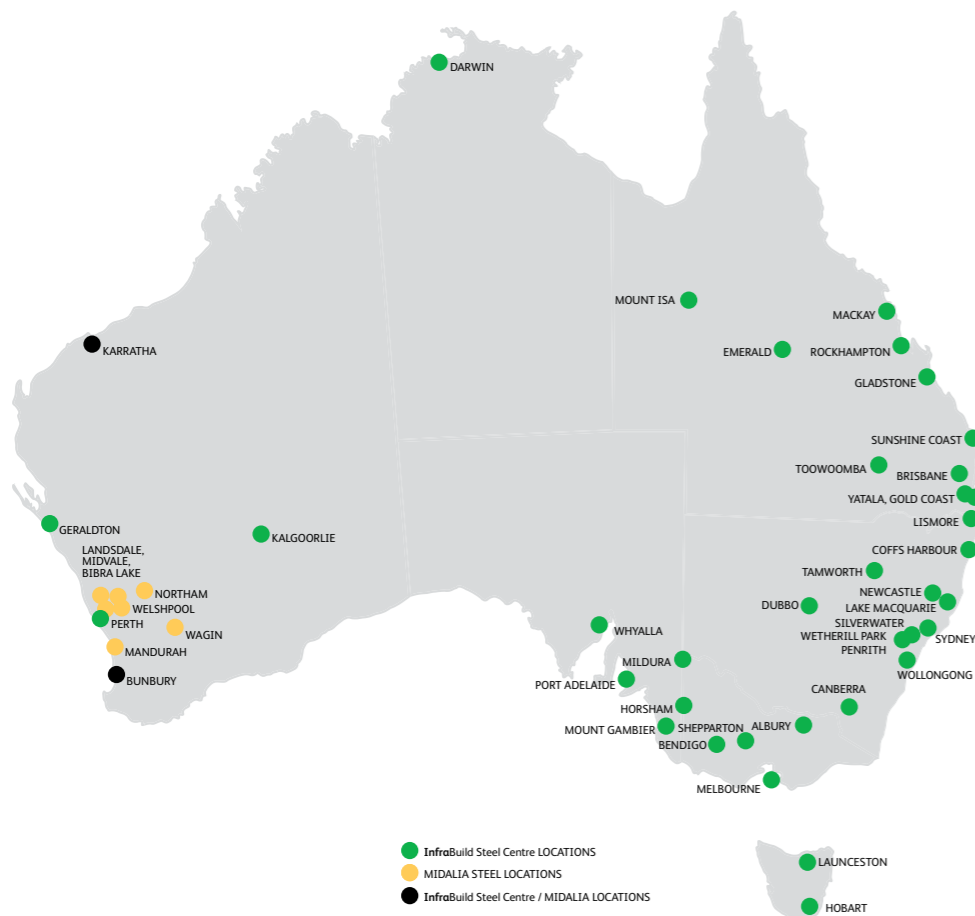
**Note:** **InfraBuild Steel Centre** reserve the right to change specifications without notice. Not all products are available at all **InfraBuild Steel Centre** branches. **InfraBuild Steel Centre** also has access to a wide network of products not necessarily listed in this book. Please check with your local **InfraBuild Steel Centre** branch for product availability.





## National Branch Network

InfraBuild Steel Centres' extensive national branch network means that we can provide solutions for our customers, wherever they need them.



## Safety at Our Sites

InfraBuild does not compromise on safety, and we believe that all injuries, occupational illnesses and incidents are preventable. Achieving zero incidents is possible in all InfraBuild businesses by maintaining a strong focus on the health and safety of all employees, contractors and customers. InfraBuild's "Goal Zero" target aims to ensure employees can go home in the same condition that they came to work. InfraBuild has implemented stringent safety policies and procedures that enable us to strive for our safety goal.



*We appreciate your compliance with our safety policies when you visit our sites.*

**Hot rolled structural | tubular | merchant bar | pipe & fittings | plate | sheet  
 reinforcing mesh & bar | aluminium | building products | fencing  
 rural products | roofing & rainwater | accessories**

[Infrabuild.com](http://Infrabuild.com)

## Our Valued Supply Partners

InfraBuild Steel Centre stock and supply quality products from suppliers and brands our customers know and trust.



**Note:** InfraBuild Steel Centre reserve the right to change specifications without notice. Not all products are available at all InfraBuild Steel Centre branches. InfraBuild Steel Centre also has access to a wide network of products not necessarily listed in this book. Please check with your local InfraBuild Steel Centre Branch for product availability.

## Structural

Equal Angles	8
Unequal Angles	8
Universal Beams	9
Welded Beams	9
Taper Flange Beams	10
Universal Columns	11
Welded Columns	11
Parallel Flange Channels	12
Rails	12

## Bar Sections

Equal Angles	14
Unequal Angles	15
Flat Bars – Round Edge	15
Flat Bars – Square Edge	16
Round Bars	19
Square Bars	20
Parallel Flange Channels	20
Billets	21
DuraGal® Channels	21
DuraGal® Angles	22
DuraGal® Flat Bars	24

## Tubular

Square Hollow Sections (SHS)	25
Rectangular Hollow Sections (RHS)	27
Stock Rail and Posts	30
Silo Sections	30
Stock Rail Accessories	31
Circular Hollow Sections (CHS)	32
Structural CHS	37
Telescoping RHS	39
Telescoping SHS	40
Telescoping CHS	42
End Colour Codes	44

## Plate

Flat Plate G250	45
Flat Plate G350	47
K1042 Plate	48
Pressure Vessel Plate	48
Floor Plate G250	49
Coil Plate HA250	49
Floor Plate HA250	50
Coil Plate HA350	50
Wear Plate	51
Structural Plate	52

## Sheet and Coil

BRIGHTFORM® Sheet	53
Hot Rolled Sheet	54
Hot Rolled, Pickled and Oiled Sheet	54
Cold Rolled Sheet	55
GALVABOND® Sheet	56
ZINCANNEAL® Sheet	57
ZINCALUME® Sheet	58
COLORBOND® Sheet	29

## Reinforcing Bar and Mesh

Sustainable Reinforcing Products	60
Green Star® Steel Credit Points	61
HANDIMESH®	62
UTE MESH®	62
ONEMESH®	62
Plain Square Mesh	63
Trench Mesh	63
Deformed Reinforcing Bar	64
Reinforcing Accessories	64

## Aluminium

Aluminium Circular Tube	66
Aluminium Rectangular Tube	67
Aluminium Square Tube	68
Aluminium Angles	69
Aluminium Channels	70
Aluminium Tees	71
Aluminium Round Bars	71
Aluminium Flat Bars	72
Aluminium Square Bars	72
Aluminium Sheet and Plate	73

## Stainless Steel

Stainless Steel Angles	75
Stainless Steel Sheet and Coil	75
Stainless Steel Flat Bars	76
Stainless Steel Round Bars	77

## Walkway Systems

Grating and Flooring	78
Stair Stringers	79
Stair Treads	80
Non-Weld Handrail Systems	81

## Building Products

DuraGal Flooring System™	84
DuraGal® Mezzanine Flooring System	85
Lintels – Traditional	86
Lintels – Flat and Angle	88
C-Purlins	90
Z-Purlins	90
Battens, Roofing and Walling	91
Flashings	93
COLORBOND® Steel Colour Range	94
Rainwater Products	95
Structural Products	96
Gutters and Fascia	97
Structural Decking	97
Fencing	97

## Piping Systems

Steel Pipes to American Standards	99
Stainless Steel Pipes to American Standards	100
Carbon Steel Butt Weld Fittings	101
Flanges to American Standards	102
Bolting for ANSI Flanges	103
Butt Weld Fittings and Flanges to ASME Standards	104
Flanges to Australian Standards	105
ISO Metric Hexagon Steel Bolts	106

## Fencing and Fittings

Fabricated Fencing	107
Fence Wire	108
Trellis Wire	108
Tie Wire	109
Barbed Wire	109
Netting	110
Posts	111
Gates	112
Fittings, Clamps, Hinges and Gudgeons	113

## Fasteners

Fasteners	115
-----------	-----

## General Information

Geometry and Mensuration	116
Gauge Conversions	116
Conversion Tables	117
Useful Conversion Factors	118
Handy Tips	120
Relevant Australian Standards	121

### 300PLUS® structural steel | C450PLUS™ structural tube



*In April 2016, revisions to four Australian Standards and two Technical Specifications covering structural steels were released by Standards Australia.*



These releases address increasing concerns in the construction industry about the non-compliance of building materials and the risk they pose to the industry and the community generally. Specifying and procuring compliant product reduces your professional risk and the safety risk to the community. Projects that specify these new Standards and Technical Specifications will be in a better position to manage the risk that would otherwise exist.

**The following mandatory requirements in the Australian Standards provide you with confidence you are getting quality and compliant steel products:**

**Minimum specific information on Test Certificates:**

- Testing to be performed by laboratories with third party accreditation from NATA
- Individual length identification markings

**The four Standards are:**

- AS/NZS 1163-2016 – Cold-formed structural steel hollow sections
- AS/NZS 3678-2016 Structural steel – Hot rolled plates, floorplates and slabs
- AS/NZS 3679.1-2016 – Structural steel – Part 1: Hot-rolled bars and sections
- AS/NZS 3679.2-2016 – Structural steel – Part 2: Welded I sections

**The two Technical Specifications:**

- SA TS 102-2016 – Structural steel – Limits on elements added
- SA TS 103-2016 – Welding to AS/NZS 1554 Parts 1, 5 and 7– Limits on boron in parent materials



# Structural

## Equal Angles

Various Standard Lengths

Size mm x mm x mm	Mass kg/m	Metres per tonne
125 x 125 x 8	14.9	67
125 x 125 x 10	18.0	56
125 x 125 x 12	22.5	44
125 x 125 x 16	29.1	34
150 x 150 x 10	21.9	46
150 x 150 x 12	27.3	37
150 x 150 x 16	35.4	28
150 x 150 x 19	42.1	24
200 x 200 x 13	40.0	25
200 x 200 x 16	48.7	21
200 x 200 x 18	54.4	18
200 x 200 x 20	60.1	17
200 x 200 x 26	76.8	13

### Typical Uses:

- Engineering Construction
- Residential Construction
- Non-Residential Construction
- Mining Infrastructure
- Transport and Storage
- Manufacturing

### Features:

- Meets AS/NZS 3679.1:2016
- Up to 20% stronger for improved strength to weight ratios
- Requires no special pre-heating for welding

## Unequal Angles

Various Standard Lengths

Size mm x mm x mm	Mass kg/m	Metres per tonne
125 x 75 x 8	14.3	70
125 x 75 x 10	17.3	58
125 x 75 x 12	21.6	46
125 x 75 x 16	27.9	36
100 x 100 x 10	18.0	56
100 x 100 x 12	22.5	44

### Typical Uses:

- Engineering Construction
- Residential Construction
- Non-Residential Construction
- Mining Infrastructure
- Transport and Storage
- Manufacturing

### Features:

- Meets AS/NZS 3679.1:2016
- Up to 20% stronger for improved strength to weight ratios
- Requires no special pre-heating for welding



Note: See page 14 for Merchant Bar Angles.



Note: See page 15 for Merchant Bar Angles.

Note: InfraBuild Steel Centre reserve the right to change specifications without notice. Not all products are available at all InfraBuild Steel Centre branches. InfraBuild Steel Centre also has access to a wide network of products not necessarily listed in this book. Please check with your local InfraBuild Steel Centre branch for product availability.

## Universal Beams

Various Standard Lengths

Metric Designation	Size mm x mm	Mass kg/m	Metres per tonne
150 UB	150 x 75	14.0	71
150 UB	155 x 75	18.0	56
180 UB	173 x 90	16.1	62
180 UB	175 x 90	18.1	55
180 UB	179 x 90	22.2	45
200 UB	198 x 99	18.2	55
200 UB	202 x 133	22.3	45
200 UB	203 x 133	25.4	39
200 UB	207 x 134	29.8	34
250 UB	248 x 124	25.7	39
250 UB	252 x 146	31.4	32
250 UB	256 x 146	37.3	27
310 UB	298 x 149	32.0	31
310 UB	304 x 165	40.4	25
310 UB	307 x 166	46.2	22
360 UB	352 x 171	44.7	22
360 UB	356 x 171	50.7	20
360 UB	359 x 172	56.7	18
410 UB	403 x 178	53.7	19
410 UB	406 x 178	59.7	17
460 UB	454 x 190	67.1	15
460 UB	457 x 190	74.6	13
460 UB	460 x 191	82.1	12
530 UB	528 x 209	82.0	12
530 UB	533 x 209	92.4	11
610 UB	602 x 228	101	10
610 UB	607 x 228	113	9
610 UB	612 x 229	125	8



### Typical Uses:

- Engineering Construction
- Residential Construction
- Non-Residential Construction
- Mining Infrastructure
- Transport and Storage
- Manufacturing

### Features:

- Meets AS/NZS 3679.1:2016
- Up to 20% stronger for better strength to weight ratios
- Requires no special pre-heating for welding

## Structural Processing

InfraBuild Steel Centre can offer processing for Structural Steel sections using a variety of machinery including Beamlines, Band Saws and Cambering Machines.

**Applications include:** Straight cuts, pack cuts, mitre cutting, drilling and cambering.

Call your local branch to discuss your requirements

Note: InfraBuild Steel Centre reserve the right to change specifications without notice. Not all products are available at all InfraBuild Steel Centre branches. InfraBuild Steel Centre also has access to a wide network of products not necessarily listed in this book. Please check with your local InfraBuild Steel Centre branch for product availability.

## Welded Beams

Various Standard Lengths

Metric Designation	Mass kg/m	Size mm x mm	Metres per tonne
700 WB	115	692 x 250	8.70
700 WB	130	700 x 250	7.69
700 WB	150	710 x 250	6.67
700 WB	173	716 x 275	5.78
800 WB	122	792 x 250	8.20
800 WB	146	800 x 275	6.85
800 WB	168	810 x 275	5.95
800 WB	192	816 x 300	5.21
900 WB	175	900 x 300	5.71
900 WB	218	910 x 350	4.59
900 WB	257	916 x 400	3.89
900 WB	282	924 x 400	3.55
1000 WB	215	1000 x 300	4.65
1000 WB	258	1010 x 350	3.88
1000 WB	296	1016 x 400	3.38
1000 WB	322	1024 x 400	3.11
1200 WB	249	1170 x 275	4.02
1200 WB	278	1170 x 350	3.60
1200 WB	317	1176 x 400	3.15
1200 WB	342	1184 x 400	2.92
1200 WB	392	1184 x 500	2.55
1200 WB	423	1192 x 500	2.36
1200 WB	455	1200 x 500	2.20

Note: Made to order. Lead times may apply.



### Typical Uses:

- Engineering Construction
- Residential Construction
- Non-Residential Construction
- Mining Infrastructure
- Transport and Storage
- Manufacturing

### Features:

- Meets AS/NZS 3679.1:2016
- Up to 20% stronger for improved strength to weight ratios
- Requires no special pre-heating for welding

## Universal Columns

Various Standard Lengths

Metric Designation	Mass kg/m	Size mm x mm	Metres per tonne
100 UC	14.8	97 x 99	67.57
150 UC	23.4	152 x 152	42.74
150 UC	30.0	158 x 153	33.33
150 UC	37.2	162 x 154	26.88
200 UC	46.2	203 x 203	21.65
200 UC	52.2	206 x 204	19.16
200 UC	59.5	210 x 205	16.81
250 UC	72.9	254 x 254	13.72
250 UC	89.5	260 x 256	11.17
310 UC	96.8	308 x 305	10.33
310 UC	118	315 x 307	8.47
310 UC	137	321 x 309	7.30
310 UC	158	327 x 311	6.33

### Typical Uses:

- Engineering Construction
- Residential Construction
- Non-Residential Construction
- Mining Infrastructure
- Transport and Storage
- Manufacturing

### Features:

- Meets AS/NZS 3679.1:2016
- Up to 20% stronger for better strength to weight ratios
- Requires no special pre-heating for welding

## Welded Columns

Various Standard Lengths

Metric Designation	Mass kg/m	Size mm x mm	Metres per tonne
350WC	197	331 x 350	5.08
350WC	230	339 x 350	4.35
350WC	258	347 x 350	3.88
350WC	280	355 x 350	3.57
400WC	144	382 x 400	6.94
400WC	181	390 x 400	5.52
400WC	212	400 x 400	4.72
400WC	270	414 x 400	3.70
400WC	303	422 x 400	3.30
400WC	328	430 x 400	3.05
400WC	361	430 x 400	2.77
500 WC	228	490 x 500	4.39
500 WC	267	500 x 500	3.75
500 WC	290	506 x 500	3.45
500 WC	340	514 x 500	2.94
500 WC	383	472 x 500	2.61
500 WC	414	480 x 500	2.42
500 WC	440	480 x 500	2.27

Note: InfraBuild Steel Centre reserve the right to change specifications without notice. Not all products are available at all InfraBuild Steel Centre branches. InfraBuild Steel Centre also has access to a wide network of products not necessarily listed in this book. Please check with your local InfraBuild Steel Centre branch for product availability.



### Features:

- Meets AS/NZS 3679.1:2016

Note: Made to order. Lead times may apply.

## Taper Flange Beams

Various Standard Lengths

Size mm x mm x mm	Mass kg/m	Metres per tonne
100 x 45	7.20	138.89
125 x 65	13.1	76.33

### Typical Uses:

- Engineering Construction
- Residential Construction
- Non-Residential Construction
- Mining Infrastructure
- Transport and Storage Manufacturing

### Features:

- Meets AS/NZS 3679.1:2016



Note: InfraBuild Steel Centre reserve the right to change specifications without notice. Not all products are available at all InfraBuild Steel Centre branches. InfraBuild Steel Centre also has access to a wide network of products not necessarily listed in this book. Please check with your local InfraBuild Steel Centre branch for product availability.

## Parallel Flange Channels

Various Standard Lengths

Size mm × mm × mm	Mass kg/m	Metres per tonne
150 × 75	17.7	56.5
180 × 75	20.9	47.9
200 × 75	22.9	43.7
230 × 75	25.1	39.8
250 × 90	35.5	28.2
300 × 90	40.1	24.9
380 × 100	55.2	18.1

### Typical Uses:

- Engineering Construction
- Residential & Non-Residential Construction
- Mining Infrastructure
- Transport and Storage
- Manufacturing

### Features:

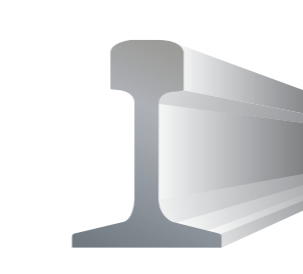
- Meets AS/NZS 3679.1:2016
- Up to 20% stronger for improved strength to weight ratios.
- Requires no special pre-heating for welding.



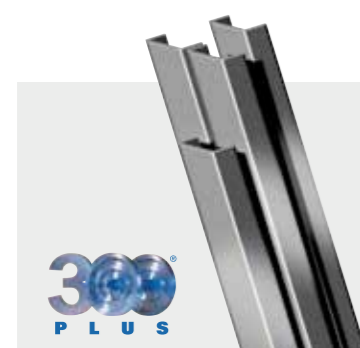
**Note:** See page 20 for Small Channel Sections.

## Rails

Section	Mass kg/m	Metres per tonne
10	10.10	99.00
15	15.20	65.79
22	22.30	44.84
30	30.10	33.22
41	40.80	24.51
50	50.60	19.76
53	53.00	18.87
60	60.60	16.50
68	67.50	14.81
73	73.63	13.58
86	85.50	11.70



**Note:** Rails are not normally a stocked item, lead times may apply.

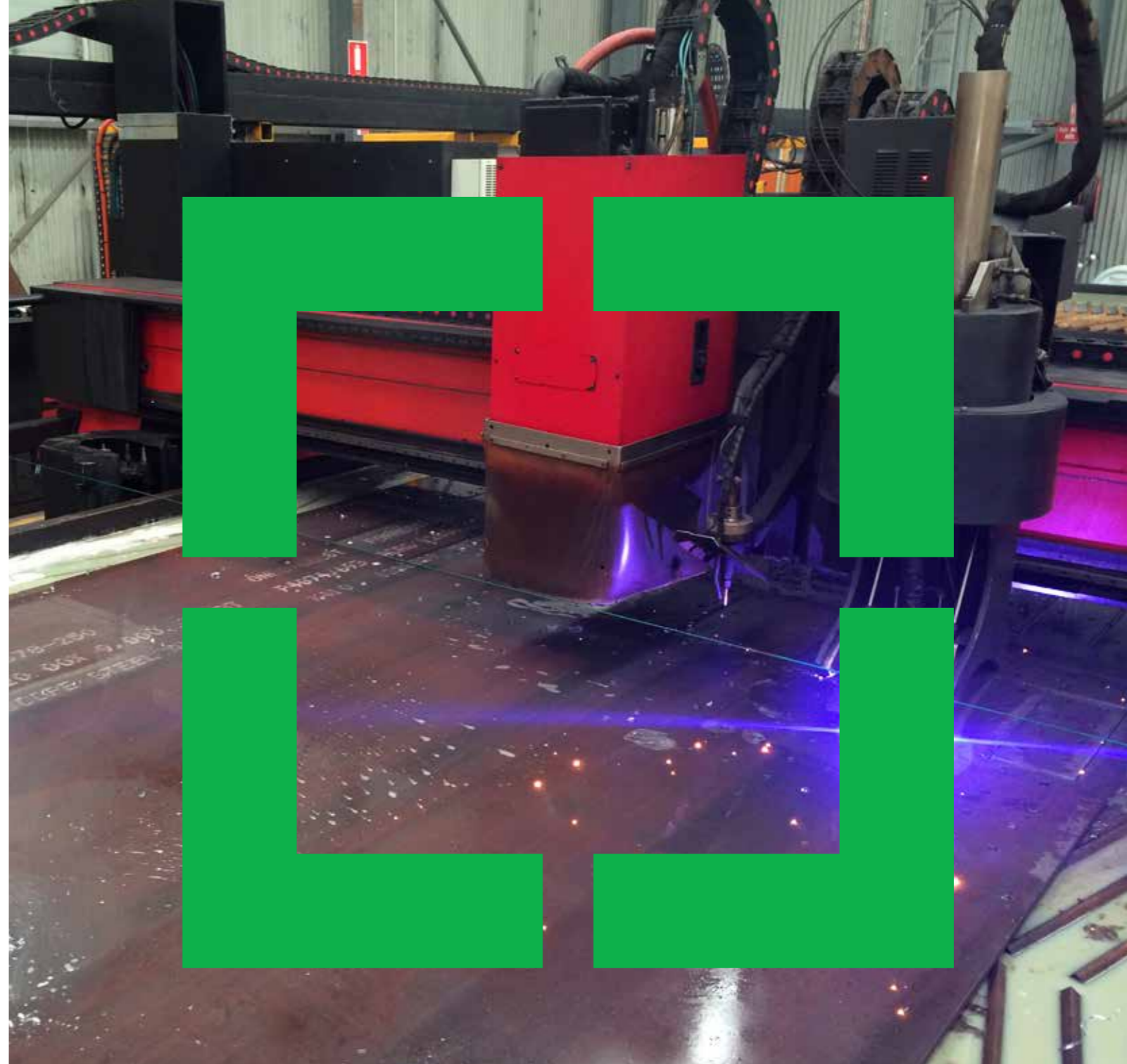


### Rely on the strength of 300PLUS®

- Manufactured in Australia by Liberty Steel
- Available across the entire Merchant Bar and Structural Steel Ranges
- Up to 20% extra strength – improved strength to weight ratios mean your constructions can save weight, as well as money
- Can be readily welded without requiring special pre-heating

Call your local branch to discuss your requirements

**Note:** InfraBuild Steel Centre reserve the right to change specifications without notice. Not all products are available at all InfraBuild Steel Centre branches. InfraBuild Steel Centre also has access to a wide network of products not necessarily listed in this book. Please check with your local InfraBuild Steel Centre branch for product availability.



## Processing Solutions

At **InfraBuild Steel Centre** we make it easier with steel supplied and processed in one place. With processing equipment owned and operated by **InfraBuild Steel Centre**, you can consult our experts at every stage of your project to manage your processing requirements. Whether it's accuracy, tolerance or repeatability you need, we can help you to achieve this through our fully-programmable machinery and the extensive experience of our people. Our industry knowledge and national support network ensures you and your projects and receiving the highest level of service and support.



# Bar Sections

## Equal Angles

Various Standard Lengths

Size mm x mm x mm	Mass kg/m	Metres per tonne
25 x 25 x 3	1.12	893
25 x 25 x 5	1.65	606
25 x 25 x 6	2.08	481
30 x 30 x 3	1.35	741
30 x 30 x 5	2.01	498
30 x 30 x 6	2.56	391
40 x 40 x 3	1.83	546
40 x 40 x 5	2.73	366
40 x 40 x 6	3.50	286
50 x 50 x 3	2.31	433
50 x 50 x 5	3.48	287
50 x 50 x 6	4.46	224
50 x 50 x 8	5.68	176
55 x 55 x 5	3.84	260
55 x 55 x 6	4.93	203
65 x 65 x 5	4.56	219
65 x 65 x 6	5.87	170
65 x 65 x 8	7.51	133
65 x 65 x 10	9.02	111
75 x 75 x 5	5.27	190
75 x 75 x 6	6.81	147
75 x 75 x 8	8.73	115
75 x 75 x 10	10.5	95
90 x 90 x 6	8.22	122
90 x 90 x 8	10.6	94
90 x 90 x 10	12.7	79
100 x 100 x 6	9.16	109
100 x 100 x 8	11.8	85
100 x 100 x 10	14.2	70
100 x 100 x 12	17.7	57



**Note:** See page 8 for Structural Angles.

### Typical Uses:

- Engineering Construction
- Residential Construction
- Non-Residential Construction
- Mining Infrastructure
- Transport and Storage
- Manufacturing

### Features:

- Meets AS/NZS 3679.1:2016
- Up to 20% stronger for improved strength to weight ratios
- Requires no special pre-heating for welding

**Note:** InfraBuild Steel Centre reserve the right to change specifications without notice. Not all products are available at all InfraBuild Steel Centre branches. InfraBuild Steel Centre also has access to a wide network of products not necessarily listed in this book. Please check with your local InfraBuild Steel Centre branch for product availability.

## Unequal Angles

Various Standard Lengths

Size mm x mm x mm	Mass kg/m	Metres per tonne
65 x 50 x 5	4.02	249
65 x 50 x 6	5.16	194
65 x 50 x 8	6.59	152
75 x 50 x 5	4.40	227
75 x 50 x 6	5.66	177
75 x 50 x 8	7.23	139
100 x 75 x 6	7.98	125
100 x 75 x 8	10.3	97
100 x 75 x 10	12.4	81
125 x 75 x 6	9.16	109
125 x 75 x 8	11.8	85
125 x 75 x 10	14.2	70
125 x 75 x 12	17.7	57



**Note:** See page 8 for Structural Angles.

### Typical Uses:

- Engineering Construction
- Residential Construction
- Non-Residential Construction
- Mining Infrastructure
- Transport and Storage
- Manufacturing

### Features:

- Meets AS/NZS 3679.1:2016
- Up to 20% stronger for improved strength to weight ratios
- Requires no special pre-heating for welding

## Flat Bars - Round Edge

Standard Length 4.0m

Size mm x mm x mm	Mass kg/m	Metres per tonne
10 x 3	0.25	4132
13 x 3	0.32	3185
13 x 5	0.53	1912
13 x 6	0.65	1592
16 x 3	0.40	2590
16 x 5	0.66	1552
16 x 8	1.06	971

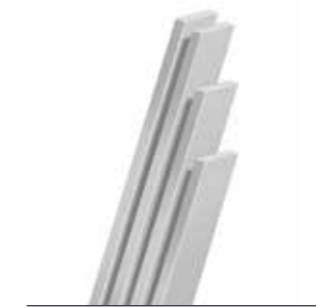
### Typical Uses:

- Engineering Construction
- Residential Construction
- Non-Residential Construction
- Mining Infrastructure
- Transport and Storage
- Manufacturing

### Features:

- Meets AS/NZS 3679.1:2016
- Requires no special pre-heating for welding

**Note:** InfraBuild Steel Centre reserve the right to change specifications without notice. Not all products are available at all InfraBuild Steel Centre branches. InfraBuild Steel Centre also has access to a wide network of products not necessarily listed in this book. Please check with your local InfraBuild Steel Centre branch for product availability.



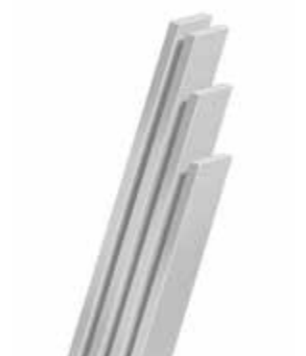
**Note:** Mass Calculations include a 2.5 per cent rolling tolerance for this product.



## Flat Bars - Square Edge

Standard Length 6.0m

Size mm x mm x mm	Mass kg/m	Metres per tonne
20 x 3	0.48	2123
20 x 5	0.81	1274
20 x 6	0.96	1062
20 x 10	1.61	637
25 x 3	0.60	1695
25 x 5	1.00	1019
25 x 6	1.21	847
25 x 8	1.61	637
25 x 10	2.01	510
25 x 12	2.42	424
32 x 3	0.77	1333
32 x 5	1.29	794
32 x 6	1.55	662
32 x 8	2.06	498
32 x 10	2.57	398
32 x 12	3.09	332
40 x 3	0.96	1064
40 x 5	1.61	637
40 x 6	1.93	532
40 x 8	2.57	398
40 x 10	3.22	318
40 x 12	3.86	265
40 x 16	5.15	199
40 x 20	6.44	159
50 x 3	1.21	847
50 x 5	2.01	510
50 x 6	2.42	424
50 x 8	3.22	318
50 x 10	4.03	254
50 x 12	4.83	212
50 x 16	6.44	159
50 x 20	8.05	127
50 x 25	10.1	102
65 x 3	1.57	654
65 x 5	2.61	392
65 x 6	3.14	327
65 x 8	4.18	245
65 x 10	5.23	196
65 x 12	6.27	163
65 x 16	8.36	123
65 x 20	10.5	98
65 x 25	13.1	78
75 x 5	3.01	340
75 x 6	3.62	283
75 x 8	4.83	212
75 x 10	6.04	170



### Typical Uses:

- Engineering Construction
- Residential Construction
- Non-Residential Construction
- Mining Infrastructure
- Transport and Storage
- Manufacturing

### Features:

- Meets AS/NZS 3679.1:2016
- Up to 20% stronger for improved strength to weight ratios
- Requires no special pre-heating for welding

**Note:** Mass Calculations include a 2.5 per cent rolling tolerance for this product.

## Flat Bars - Square Edge

Standard Length 6.0m

Size mm x mm x mm	Mass kg/m	Metres per tonne
75 x 12	7.25	141
75 x 16	9.66	106
75 x 20	12.1	85
75 x 25	15.1	68
75 x 40	24.2	42
90 x 5	3.62	283
90 x 6	4.35	236
90 x 8	5.79	177
90 x 10	7.25	141
90 x 12	8.69	118
100 x 5	4.03	254
100 x 6	4.83	212
100 x 8	6.44	159
100 x 10	8.05	127
100 x 12	9.66	106
100 x 16	12.9	79
100 x 20	16.1	64
100 x 25	20.1	51
100 x 50	40.3	25
110 x 6	5.31	193
110 x 8	7.08	145
110 x 10	8.86	116
110 x 12	10.7	96
130 x 5	5.23	196
130 x 6	6.27	163
130 x 8	8.36	123
130 x 10	10.5	98
130 x 12	12.5	82
130 x 16	16.7	61
130 x 20	20.9	49
130 x 25	26.1	39
150 x 5	6.04	170
150 x 6	7.25	141
150 x 8	9.66	106
150 x 10	12.1	85
150 x 12	14.5	71
150 x 16	19.3	53
150 x 20	24.2	42
150 x 25	30.1	34
150 x 50	60.4	17
180 x 5	7.25	141
180 x 6	8.69	118
180 x 10	14.5	71
180 x 12	17.4	59
180 x 16	23.2	44
180 x 20	29.0	35



### Typical Uses:

- Engineering Construction
- Residential Construction
- Non-Residential Construction
- Mining Infrastructure
- Transport and Storage
- Manufacturing

### Features:

- Meets AS/NZS 3679.1:2016
- Up to 20% stronger for improved strength to weight ratios
- Requires no special pre-heating for welding

**Note:** Mass Calculations include a 2.5 per cent rolling tolerance for this product.

## Flat Bars - Square Edge

Standard Length 6.0m

Size mm x mm x mm	Mass kg/m	Metres per tonne
180 x 25	36.2	28
200 x 6	9.66	106
200 x 8	12.9	79
200 x 10	16.1	64
200 x 12	19.3	53
200 x 16	25.7	40
200 x 20	32.2	32
200 x 25	40.3	25
250 x 6	12.1	85
250 x 8	16.1	64
250 x 10	20.1	51
250 x 12	24.2	42
250 x 16	32.2	32
250 x 20	40.3	25
250 x 25	50.3	20
300 x 6	14.5	71
300 x 8	19.3	53
300 x 10	24.2	42
300 x 12	29.0	35
300 x 16	38.6	27
300 x 20	48.3	21
300 x 25	60.4	17



**Note:** Mass Calculations include a 2.5 per cent rolling tolerance for this product.

### Typical Uses:

- Engineering Construction
- Residential Construction
- Non-Residential Construction
- Mining Infrastructure
- Transport and Storage
- Manufacturing

### Features:

- Meets AS/NZS 3679.1:2016
- Up to 20% stronger for improved strength to weight ratios
- Requires no special pre-heating for welding

## Round Bars

Standard Length 6.0m

Size mm x mm x mm	Mass kg/m	Metres per tonne
10	0.64	1613
12	0.91	1124
14	1.24	826
16	1.62	633
18	2.05	500
20	2.53	405
22	3.05	336
24	3.64	282
27	4.61	222
30	5.69	180
33	6.88	149
36	8.19	125
39	9.61	107
42	11.2	92
45	12.8	80
48	14.6	70
50	15.8	65
56	19.8	52
60	22.8	45
65	26.7	38
75	35.6	29
80	40.5	25
90	51.1	20
100	63.2	16
110	76.7	13
120	91.2	11
130	108	10
140	124	8
150	142	7
160	162	6
170	183	6
180	206	5
190	229	4
200	253	4



**Note:** Mass Calculations include a 2.5 per cent rolling tolerance for this product.

### Typical Uses:

- Engineering Construction
- Residential Construction
- Non-Residential Construction
- Mining Infrastructure
- Transport and Storage
- Manufacturing

### Features:

- Meets AS/NZS 3679.1:2016
- Up to 20% stronger for improved strength to weight ratios
- Requires no special pre-heating for welding

## Square Bars

Standard Length 6.0m

Size mm x mm x mm	Mass kg/m	Metres per tonne
10 x 10	0.81	1266
12 x 12	1.16	885
16 x 16	2.06	498
20 x 20	3.22	318
25 x 25	5.03	204
32 x 32	8.24	124
40 x 40	12.9	79



**Note:** Mass Calculations include a 2.5 per cent rolling tolerance for this product.

### Typical Uses:

- Engineering Construction
- Residential & Non-Residential Construction
- Mining Infrastructure
- Transport and Storage
- Manufacturing

### Features:

- Meets AS/NZS 3679.1:2016
- Up to 20% stronger for improved strength to weight ratios
- Requires no special pre-heating for welding

## Parallel Flange Channels

Various Standard Lengths

Size mm x mm x mm	Mass kg/m	Metres per tonne
75 x 40	5.92	169
100 x 50	8.33	120
125 x 65	11.9	84.0



**Note:** See page 12 for Structural Steel Channels.

### Typical Uses:

- Engineering Construction
- Residential & Non-Residential Construction
- Mining Infrastructure
- Transport and Storage
- Manufacturing

### Features:

- Meets AS/NZS 3679.1:2016
- Up to 20% stronger for improved strength to weight ratios
- Requires no special pre-heating for welding

## Billets

Standard Length 6.0m

Size mm x mm x mm	Mass kg/m	Metres per tonne
45 x 45	16.30	61
50 x 50	27.80	36
63 x 63	31.20	32
75 x 75	45.27	22



## DuraGal® Channels

Dim 1	Dim 2	Nominal Thickness mm	Length	Mass kg/m	Metres per tonne	Length/Pack	
						Standard (m)	9.0
75	x 40	x 4	9000	4.430	226	18	
100	x 50	x 4	9000	5.584	179	18	
125	x 65	x 4	9000	7.595	132	18	
150	x 75	x 5	12000	11.177	89		12
180	x 75	x 5	12000	12.362	81		12
200	x 75	x 5	12000	13.152	76		12
200	x 75	x 6	12000	15.742	64		12
230	x 75	x 6	12000	17.190	58		12
250	x 90	x 6	12000	19.605	51		8
300	x 90	x 6	12000	22.019	45		6



**Note:** Some sizes may be subject to rolling MOQs.

### Typical Uses:

- Residential Construction
- Non-Residential Construction
- Fabrication

### Features:

- High strength roll-formed sections made from pre-coated strip with the innovative Magnelis® coating made of zinc, aluminium and magnesium
- Minimum coating of 250g/m<sup>2</sup> and self-healing properties
- Smooth quality finish
- Significantly lighter than traditional hot rolled sections
- Smooth surface allows easy powdercoating and painting
- Tensile strength minimum 450mPa



## DuraGal® Angles

### Unequal Angles

Dim 1	Dim 2	Nominal Thickness mm	Length	Mass kg/m	Metres per tonne
75	x 50	4	9000	3.734	268
75	x 50	5	9000	4.581	218
75	x 50	6	9000	5.456	183
90	x 75	6	9000	7.436	134
100	x 75	6	12000	7.871	127
125	x 75	5	12000	7.544	133
125	x 75	6	12000	9.078	110
150	x 100	6	12000	11.492	87

#### Typical Uses:

- Residential Construction
- Non-Residential Construction
- Fabrication

#### Features:

- High strength roll-formed sections made from pre-coated strip with the innovative Magnelis® coating made of zinc, aluminium and magnesium
- Minimum coating of 250g/m<sup>2</sup> and self-healing properties
- Smooth quality finish
- Significantly lighter than traditional hot rolled sections
- Smooth surface allows easy powdercoating and painting
- Tensile strength minimum 450mPa



**Note:** Some sizes may be subject to rolling MOQs.

## DuraGal® Angles

### Equal Angles

Dim 1	Dim 2	Nominal Thickness mm	Length	Mass kg/m	Metres per tonne	Length/Pack		
						Standard	6.0	9.0
25	x 25	2.5	6000	0.894	1119			
30	x 30	2.5	6000	1.093	915	80		
40	x 40	2.5	6000	1.490	671	60		
40	x 40	4.0	6000	2.310	433	39		
45	x 45	2.5	6000	1.689	592			
50	x 50	2.5	6000	1.888	530	33	33	
50	x 50	4.0	6000	2.943	340	27	27	
50	x 50	5.0	12000	3.594	278	24	24	24
50	x 50	6.0	9000	4.249	235	21		
65	x 65	4.0	9000	3.892	257	22		
65	x 65	5.0	9000	4.779	209	22		
65	x 65	6.0	9000	5.698	176	18		
75	x 75	4.0	9000	4.525	221	22		
75	x 75	5.0	6000	5.569	180	22	22	
75	x 75	6.0	9000	6.664	150	18		
90	x 90	5.0	9000	6.754	148	22		
90	x 90	6.0	9000	8.112	123			
100	x 100	6.0	12000	9.078	110			
150	x 150	6.0	12000	13.907	72			

#### Typical Uses:

- Residential Construction
- Non-Residential Construction
- Fabrication

#### Features:

- High Strength roll-formed sections made from pre-coated strip with the innovative Magnelis® coating made of zinc, aluminium and magnesium
- Minimum coating of 250g/m<sup>2</sup> and self-healing properties
- Smooth quality finish
- Significantly lighter than traditional hot rolled sections
- Smooth surface allows easy powdercoating and painting
- Tensile strength minimum 450mPa



**Note:** Some sizes may be subject to rolling MOQs.



## Merchant Bar Processing

We can process Flats, Rounds and Angles using Beamlines, Band Saws, Croppers and Oxy Beveling Machines.

**Applications include:** Straight cuts, pack cuts, mitre cutting, drilling, notching, punching, shearing and cropping.

Call your local branch to discuss your requirements

## DuraGal® Flat Bars

Dim 1	Dim 2	Length	Mass kg/m	Metres per tonne	Length/Pack	
					Standard (m)	
					6.0	
50	x	4	6000	1.582	632	57
50	x	5	6000	1.975	506	45
65	x	5	6000	2.567	390	36
75	x	4	6000	2.373	421	38
75	x	5	6000	2.962	338	32
90	x	6	6000	4.346	230	26
100	x	4	6000	3.165	316	28
100	x	5	6000	3.950	253	28
100	x	6	6000	4.829	207	26
130	x	5	6000	5.134	195	28
150	x	5	6000	5.924	169	28
150	x	6	6000	7.243	138	24
200	x	5	6000	7.899	127	32
250	x	5	6000	9.874	101	23
300	x	5	6000	11.849	84	19

Information reflects standard lengths as well as lengths available ex-rolling.  
Subject to MOQ.

### Typical Uses:

- Residential Construction
- Non-Residential Construction
- Fabrication

### Features:

- High strength roll-formed sections made from pre-coated strip with the innovative Magnelis® coating made of zinc, aluminium and magnesium
- Minimum coating of 250g/m<sup>2</sup> and self-healing properties
- Smooth quality finish
- Significantly lighter than traditional hot rolled sections
- Smooth surface allows easy powdercoating and painting
- Tensile strength minimum 450mPa



**DuraGal**  
THE DIFFERENCE IS DURAGAL

Note: some sizes may be subject to rolling MOQs.



## Tubular Processing

InfraBuild Steel Centre can process Pipe and Tube using a variety of machinery including Band Saws, Power Hacksaws, Tube saws and Beamlines.

**Applications include:** Straight cuts, pack cuts, drilling and de-burring.

Call your local branch to discuss your requirements

Note: InfraBuild Steel Centre reserve the right to change specifications without notice. Not all products are available at all InfraBuild Steel Centre branches. InfraBuild Steel Centre also has access to a wide network of products not necessarily listed in this book. Please check with your local InfraBuild Steel Centre branch for product availability.

## Tubular

### Square Hollow Sections (SHS)

Size mm x mm x mm	Surface Finish	Mass kg/m	Metres per tonne	Length/Pack	
				Standard (m)	
				6.5	8.0
25 x 25 x 1.6	P,S	1.12	890	100	
25 x 25 x 2.0	P,S	1.36	733	100	
25 x 25 x 2.5	P,S	1.64	610	100	
25 x 25 x 3.0	P,S	1.89	529	100	
30 x 30 x 1.6	P,S	1.38	727		100
30 x 30 x 2.0	P,S	1.68	596		100
30 x 30 x 2.5	P,S	2.03	492		100
30 x 30 x 3.0	P,S	2.36	423		64
35 x 35 x 1.6	P,S	1.63	615		100
35 x 35 x 2.0	P,S	1.99	502		100
35 x 35 x 2.5	P,S	2.42	412		64
35 x 35 x 3.0	P,S	2.83	353		64
40 x 40 x 1.6	P,S	1.88	533		81
40 x 40 x 2.0	P,S	2.31	434		81
40 x 40 x 2.5	P,S	2.82	355		64
40 x 40 x 3.0	P,S	3.30	303		64
40 x 40 x 4.0	P,S	4.09	244		49
50 x 50 x 1.6	P,S	2.38	420		64
50 x 50 x 2.0	P,S	2.93	300		64
50 x 50 x 2.5	P,S	3.60	278		49
50 x 50 x 3.0	P,S	4.25	236		49
50 x 50 x 4.0	P,S	5.35	187		36
50 x 50 x 5.0	P,S	6.39	156		30
50 x 50 x 6.0	O	7.32	137		25
65 x 65 x 1.6	P,S	3.13	319		49
65 x 65 x 2.0	P,S,C	3.88	258		42
65 x 65 x 2.5	P,S,C	4.78	209		42
65 x 65 x 3.0	P,S	5.66	177		36
65 x 65 x 4.0	P,S,C	7.23	138		30
65 x 65 x 5.0	P,S	8.75	114		25
65 x 65 x 6.0	P	10.1	98.6		20
75 x 75 x 2.0	P,S,C	4.50	222		36
75 x 75 x 2.5	P,S,C	5.56	180		30
75 x 75 x 3.0	P,S	6.60	152		30
75 x 75 x 3.5	P,S	7.53	133		25
75 x 75 x 4.0	P,S,C	8.49	118		25
75 x 75 x 5.0	P,S	10.3	96.9		20
75 x 75 x 6.0	P	12.0	83.1		16
89 x 89 x 2.0	S	5.38	186		20
89 x 89 x 3.5	P,S,C	9.07	110		20
89 x 89 x 5.0	P,S	12.5	80.0		16
89 x 89 x 6.0	P	14.7	68.3		12
90 x 90 x 2.0	Z	5.45	184		20



Note: InfraBuild Steel Centre reserve the right to change specifications without notice. Not all products are available at all InfraBuild Steel Centre branches. InfraBuild Steel Centre also has access to a wide network of products not necessarily listed in this book. Please check with your local InfraBuild Steel Centre branch for product availability.



### Surface Finishes:

- C** – DuraGalClear™
- S** – DuraGalPlus™
- Z** – DuraGalPlus™ ZB135/135
- P** – DuraPrimed™
- O** – Oiled

### Typical Uses:

- Engineering Construction
- Residential Construction
- Non-Residential Construction
- Mining Investment
- Transport and Storage
- Manufacturing
- Agriculture

### Features:

- Available in Grades C350L0 and C450PLUS™.
- All tube manufactured to meet AS/NZS AS1163:2016
- Available in various coating types including DuraGalPlus™, DuraGalPlus™ ZB135/135, DuraPrimed® and NOPC (No Oil or Paint Coating).
- DuraGalPlus™ hot-dip galvanized coating has a minimum average zinc mass of 100g/m<sup>2</sup>.

Note: See page 27-28 for Rectangular Hollow Sections.

## Square Hollow Sections (SHS)

Size mm x mm x mm	Surface Finish	Mass kg/m	Metres per tonne	Length/Pack	
				Standard (m)	
				8.0	12
100 x 100 x 2.0	P	6.07	165	20	20
100 x 100 x 2.5	P,S	7.53	133	20	
100 x 100 x 3.0	P,S,C	8.96	112	20	16
100 x 100 x 4.0	P,S	11.6	86.0	16	12
100 x 100 x 5.0	P,S	14.2	70.2	12	9
100 x 100 x 6.0	P	16.7	59.7	12	9
100 x 100 x 8.0	O	21.4	46.7	9	6
100 x 100 x 9.0	O	23.5	42.5	9	6
100 x 100 x 10.0	O	25.6	39.0		6
125 x 125 x 4.0	P	14.8	67.7	12	9
125 x 125 x 5.0	P	18.2	55.0	12	9
125 x 125 x 6.0	P	21.4	46.6	9	6
125 x 125 x 8.0	O	27.7	36.1	6	4
125 x 125 x 9.0	P,O	30.6	32.7	8	4
125 x 125 x 10.0	O	33.4	29.9		4
150 x 150 x 5.0	P	22.1	45.3	9	6
150 x 150 x 6.0	P	26.2	38.2	6	6
150 x 150 x 8.0	O	33.9	29.5	6	4
150 x 150 x 9.0	P,O	37.7	26.6	6	4
150 x 150 x 10.0	O	41.3	24.2		2
200 x 200 x 5.0	O	29.9	33.4	6	4
200 x 200 x 6.0	O	35.6	28.1	4	4
200 x 200 x 8.0	O	46.5	21.5	4	2
200 x 200 x 9.0	O	51.8	19.3	4	2
200 x 200 x 10.0	O	57.0	17.6		2
200 x 200 x 12.5	O	69.4	14.4		2
200 x 200 x 16.0	O	85.5	11.7		1
250 x 250 x 6.0	O	45.0	22.2	4	2
250 x 250 x 8.0	O	59.1	16.9	4	2
250 x 250 x 9.0	O	65.9	15.2	2	2
250 x 250 x 10.0	O	72.7	13.8		2
250 x 250 x 12.5	O	89.0	11.2		1
250 x 250 x 16.0	O	111	9.04		1
300 x 300 x 8.0	O	71.6	14.0		1
300 x 300 x 10.0	O	88.4	11.3		1
300 x 300 x 12.5	O	109	9.21		1
300 x 300 x 16.0	O	136	7.36		1
300 x 300 x 8.0	O	84.2	11.9		1
300 x 300 x 10.0	O	104	9.61		1
300 x 300 x 12.5	O	128	7.80		1
300 x 300 x 16.0	O	161	6.21		1
400 x 400 x 10.0	O	120	8.35		1
400 x 400 x 12.5	O	148	6.76		1
400 x 400 x 16.0	O	186	5.38		1



### Surface Finishes:

- C** – DuraGalClear™
- S** – DuraGalPlus™
- Z** – DuraGalPlus™ZB135/135
- P** – DuraPrimed™
- O** – Oiled

### Typical Uses:

- Engineering Construction
- Residential Construction
- Non-Residential Construction
- Mining Investment
- Transport and Storage
- Manufacturing
- Agriculture

### Features:

- Available in Grades C350L0 and C450PLUS™.
- All tube manufactured to meet AS/NZS AS1163:2016
- Available in various coating types including DuraGalPlus™, DuraGalPlus™ZB135/135, DuraPrimed® and NOPC (No Oil or Paint Coating).
- DuraGalPlus™ hot-dip galvanized coating has a minimum average zinc mass of 100g/m<sup>2</sup>.

**Note:** See page 27-28 for Rectangular Hollow Sections.

## Rectangular Hollow Sections (RHS)

Size mm x mm x mm	Surface Finish	Mass kg/m	Metres per tonne	Length/Pack	
				Standard (m)	
				8.0	12
50 x 25 x 1.6	P,S	1.75	571	96	
50 x 25 x 2.0	P,S	2.15	465	96	
50 x 25 x 2.5	P,S	2.62	382	72	
50 x 25 x 3.0	P,S	3.07	326	60	
65 x 35 x 2.0	P,S	2.93	341	54	
65 x 35 x 2.5	P,S	3.60	278	54	
65 x 35 x 3.0	P,S	4.25	236	45	
65 x 35 x 4.0	P,S	5.35	187	45	
75 x 25 x 1.6	P,S	2.38	420	65	
75 x 25 x 2.0	P,S	2.93	341	65	
75 x 25 x 2.5	P,S	3.60	278	48	
75 x 50 x 1.6	P,S,C,Z	3.01	332	54	54
75 x 50 x 2.0	P,S	3.72	269	42	42
75 x 50 x 2.5	P,S	4.58	218	42	24
75 x 50 x 3.0	P,S	5.42	184	35	24
75 x 50 x 4.0	P,S	6.92	145	28	24
75 x 50 x 5.0	P,S	8.35	120	24	20
75 x 50 x 6.0	P	9.67	103	20	16
100 x 50 x 1.6	P,S,C,Z	3.64	275	32	32
100 x 50 x 2.0	P,S,C,Z	4.50	222	32	32
100 x 50 x 2.5	P,S	5.56	180	32	24
100 x 50 x 3.0	P,S	6.60	152	32	24
100 x 50 x 3.5	P,S	7.53	133	24	18
100 x 50 x 4.0	P,S	8.49	118	24	18
100 x 50 x 5.0	P,S	10.3	96.9	18	15
100 x 50 x 6.0	P	12.0	83.1	15	12
102 x 76 x 3.5	P,S	9.07	110	12	
102 x 76 x 5.0	P,S	12.5	79.9	12	
102 x 76 x 6.0	P,S	14.7	68.2	12	
125 x 75 x 2.0	P	6.07	165	24	
125 x 75 x 2.5	P,S	7.53	133	20	20
125 x 75 x 3.0	P,S	8.96	112	20	15
125 x 75 x 4.0	P,S	11.6	86.0	15	15
125 x 75 x 5.0	P,S	14.2	70.2	15	12
125 x 75 x 6.0	P	16.7	59.7	12	6
127 x 51 x 3.5	P	9.07	110	12	
127 x 51 x 5.0	P	12.5	79.9	8	
127 x 51 x 6.0	P	14.7	68.2	8	



### Surface Finishes:

- C** – DuraGalClear™
- S** – DuraGalPlus™
- Z** – DuraGalPlus™ZB135/135
- P** – DuraPrimed™
- O** – Oiled

### Typical Uses:

- Engineering Construction
- Residential Construction
- Non-Residential Construction
- Mining Investment
- Transport and Storage
- Manufacturing
- Agriculture

### Features:

- Available in Grades C350L0 and C450PLUS™.
- All tube manufactured to meet AS/NZS AS1163:2016
- Available in various coating types including DuraGalPlus™, DuraGalPlus™ZB135/135, DuraPrimed® and NOPC (No Oil or Paint Coating).
- DuraGalPlus™ hot-dip galvanized coating has a minimum average zinc mass of 100g/m<sup>2</sup>.

**Note:** See page 25-26 for Square Hollow Sections



## Rectangular Hollow Sections (RHS)

Size mm x mm x mm	Surface Finish	Mass kg/m	Metres per tonne	Length/Pack	
				Standard (m)	
				8.0	12
150 x 50 x 2.0	P,S,C,Z	6.07	165	21	21
150 x 50 x 2.5	PS	7.53	133	24	18
150 x 50 x 3.0	P,S,C	8.96	112	21	15
150 x 50 x 4.0	PS	11.6	86.0	15	15
150 x 50 x 5.0	PS	14.2	70.2	15	9
150 x 50 x 6.0	P	16.7	59.7	15	9
150 x 100 x 4.0	P	14.8	67.7	12	9
150 x 100 x 5.0	P	18.2	55.0	12	8
150 x 100 x 6.0	P	21.4	46.6	9	6
150 x 100 x 8.0	O	27.7	36.1		4
150 x 100 x 9.0	O	30.6	32.7	6	4
152 x 76 x 5.0	O	16.4	60.7	8	8
152 x 76 x 6.0	O	19.4	51.5	8	8
200 x 100 x 4.0	P	17.9	55.8	8	6
200 x 100 x 5.0	P	22.1	45.3	8	6
200 x 100 x 6.0	P	26.2	38.2	8	4
200 x 100 x 8.0	O	33.9	29.5	6	4
200 x 100 x 9.0	O	37.7	26.6	6	4
250 x 150 x 5.0	O	29.9	33.4	6	4
250 x 150 x 6.0	O	35.6	28.1	4	4
250 x 150 x 8.0	O	46.5	21.5	4	2
250 x 150 x 9.0	O	51.8	19.3	4	2
250 x 150 x 10.0	O	57.0	17.6		2
250 x 150 x 12.5	O	69.4	14.4		1
250 x 150 x 16.0	O	85.5	11.7		1
300 x 200 x 6.0	O	45.0	22.2	2	1
300 x 200 x 8.0	O	59.1	16.9	2	1
300 x 200 x 9.0	O	65.9	15.2		2
300 x 200 x 10.0	O	72.7	13.8	1	1
300 x 200 x 12.5	O	89.0	11.2		1
300 x 200 x 16.0	O	111	9.04		1
350 x 250 x 8.0	O	71.6	14.0		2
350 x 250 x 10.0	O	88.4	11.3		1
350 x 250 x 12.5	O	109	9.21		1
350 x 250 x 16.0	O	136	7.36		1
400 x 200 x 8.0	O	71.6	14.0		2
400 x 200 x 10.0	O	88.4	11.3		1
400 x 200 x 12.5	O	109	9.21		1
400 x 200 x 16.0	O	136	7.36		1
400 x 300 x 8.0	O	84.2	11.9		1
400 x 300 x 10.0	O	104	9.61		1
400 x 300 x 12.5	O	128	7.80		1
400 x 300 x 16.0	O	161	6.21		1

Information reflects standard lengths as well as lengths available ex-rolling. Subject to MOQ.



### Surface Finishes:

- C** – DuraGalCLEAR™
- S** – DuraGalPLUS™
- Z** – DuraGalPLUS™ ZB135/135
- P** – DuraPrimed™
- O** – Oiled

### Typical Uses:

- Engineering Construction
- Residential Construction
- Non-Residential Construction
- Mining Investment
- Transport and Storage
- Manufacturing
- Agriculture

### Features:

- Available in Grades C350L0 and C450PLUS™.
- All tube manufactured to meet AS/NZS AS1163:2016
- Available in various coating types including DuraGalPLUS™, DuraGalPLUS™ ZB135/135, DuraPrimed™ and NOPC (No Oil or Paint Coating).
- DuraGalPLUS™ hot-dip galvanized coating has a minimum average zinc mass of 100g/m<sup>2</sup>.

**Note:** See page 25-26 for Square Hollow Sections.

## Higher strength and more efficient structural steel - C450PLUS™

C450PLUS™ is a unique dual-grade tubular section offering the strength of 450-grade steel with the elongation, formability and weldability of 350-grade.

Available in all sizes of SHS and RHS, with coating options including DuraGalPLUS™, DuraPrimed™ and oiled.

## Stock Rail and Posts

Stock Rail Sections				
Designation d x b mm	Wall Thickness mm	Mass kg/m	Metres per tonne	Pack Size (Lns)
53 x 35	1.6	1.77	854	48
60 x 48	2.0	2.88	347	36
66 x 44	1.6	2.23	448	36
75 x 40	1.6	2.39	418	20
75 x 40	2.0	2.97	336	20
97 x 40	2.0	3.65	273	21
115 x 42	2.0	4.27	234	21
115 x 42	2.5	5.30	188	21
120 x 48	2.0	4.53	220	18

**Note:** Some sizes subject to rolling MOQs.

Post Sections				
Designation d x b mm	Wall Thickness mm	Mass kg/m	Metres per tonne	Pack Size (Lns)
40 x 40	1.6	1.88	814	81
40 x 40	2.0	2.31	640	81
50 x 50	1.6	2.38	502	64
50 x 50	2.0	2.93	502	64
75 x 75	4.0	8.49	383	25
100 x 100	4.0	11.6	304	16

## Silo Sections

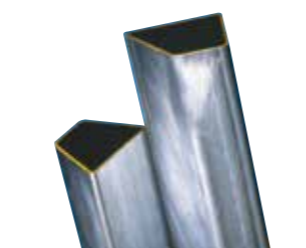
DuraPrimed, DuraGalPLUS™				
Designation d x b mm	Wall Thickness mm	Mass kg/m	Metres per tonne	Pack Size (Lns)
75 x 64	2.5	4.75	210	36
75 x 64	3.0	5.56	179	24

**Note:** DuraPrimed® replaces Painted.



### Features:

- Coated in DuraGalPLUS™ for superior corrosion protection
- All tube manufactured to meet AS/NZS AS1163:2016
- Smooth elongated edges minimise risk of bruising and injury to livestock
- Lightweight, easy to handle and transport
- Flat sides allow for easy connectivity
- Minimal weld spatter or fumes



### Features:

- Available in DuraPrimed® and DuraGal Plus™
- All tube manufactured to meet AS/NZS AS1163:2016

## Stock Rail Accessories

Product Image	Product Name	Product Code	Weight (kg/EA)	Box Quantity
	Cattle Rail Joiner	VRH115	0.50	30
	Cattle Rail Zinc Cap	VRH115C	0.10	50
	Cattle Rail Clip	VRH115CLIP	0.10	60
	Cattle Rail End Joiner	VRH115EJ	0.50	30
	Cattle Rail Hanger Double End	VCATTLECR	0.75	24
	Cattle Rail Hanger Single	VCATTLECRH	0.35	48
	Cattle Rail Plastic End Cap	VACEPC01154	0.09	125



## Tubular Processing

InfraBuild Steel Centre can process Pipe and Tube using a variety of machinery including Band Saws, Power Hacksaws, Tube saws and Beamlines.

**Applications include:** Straight cuts, pack cuts, drilling and de-burring.

Call your local branch to discuss your requirements

**Note:** InfraBuild Steel Centre reserve the right to change specifications without notice. Not all products are available at all InfraBuild Steel Centre branches. InfraBuild Steel Centre also has access to a wide network of products not necessarily listed in this book. Please check with your local InfraBuild Steel Centre branch for product availability.

# Circular Hollow Sections (CHS)

## Availability Overview

Nominal Size (DN)	Section	Outside Diameter mm	Wall Thickness mm	DuraGal Clear™	Oiled C350L0	DuraPrimed Red™	DuraGal Plus™	DuraGal Plus ZB135/135™	Hot-dip Galv
25	Extra Light	33.7	2.0	✓				✓	
25	Light	33.7	2.6	✓				✓	
25	Medium	33.7	3.2	✓		✓	✓	✓	
25	Heavy	33.7	4.0						
32	Extra Light	42.4	2.0	✓				✓	
32	Light	42.4	2.6	✓				✓	
32	Medium	42.4	3.2	✓		✓	✓	✓	
32	Heavy	42.4	4.0						
40	Extra Light	48.3	2.3	✓				✓	
40	Light	48.3	2.9	✓				✓	
40	Medium	48.3	3.2	✓		✓	✓	✓	
40	Heavy	48.3	4.0	✓					✓
40	Extra Heavy	48.3	5.4						
50	Extra Light	60.3	2.3	✓				✓	
50	Light	60.3	2.9	✓				✓	
50	Medium	60.3	3.6	✓		✓	✓		✓
50	Heavy	60.3	4.5	✓					✓
50	Extra Heavy	60.3	5.4						
65	Extra Light	76.1	2.3	✓				✓	
65	Light	76.1	3.2	✓				✓	
65	Medium	76.1	3.6	✓		✓	✓		✓
65	Heavy	76.1	4.5						✓
65	Extra Heavy	76.1	5.9	✓					
80	Extra Light	88.9	2.6	✓				✓	✓
80	Light	88.9	3.2	✓				✓	✓
80	Medium	88.9	4.0	✓		✓	✓		✓
80	Heavy	88.9	5.0	✓					✓
80	Extra Heavy	88.9	5.9						
90	Extra Light	101.6	2.6	✓					✓
90	Light	101.6	3.2	✓				✓	✓
90	Medium	101.6	4.0	✓		✓	✓		✓
90	Heavy	101.6	5.0						
100	Extra Light	114.3	3.2	✓					✓
100	Light	114.3	3.6	✓				✓	✓
100	Medium	114.3	4.5	✓		✓	✓		✓
100	Heavy	114.3	5.4						
125	Extra Light	139.7	3.0		✓				✓
125	Light	139.7	3.5		✓				✓
125	Medium	139.7	5.0		✓				✓
125	Heavy	139.7	5.4						
150	Extra Light	165.1	3.0		✓				✓
150	Light	165.1	3.5		✓				✓
150	Medium	165.1	5.0		✓				✓
150	Heavy	165.1	5.4		✓				✓

Note: Some sizes subject to rolling MOQs.

Note: InfraBuild Steel Centre reserve the right to change specifications without notice. Not all products are available at all InfraBuild Steel Centre branches. InfraBuild Steel Centre also has access to a wide network of products not necessarily listed in this book. Please check with your local InfraBuild Steel Centre branch for product availability.

# Circular Hollow Sections (CHS)

## DuraGalCLEAR™

Nominal Size (DN)	Section	Outside Diameter mm	Wall Thickness mm	Mass kg/m	Metres per tonne	Pack Size (Lns)
25	Extra Light	33.7	2.0	1.56	640	91
25	Light		2.6	1.99	501	91
25	Medium		3.2	2.41	414	91
25	Heavy		4.0	2.94	340	91
32	Extra Light	42.4	2.0	1.99	502	61
32	Light		2.6	2.55	392	61
32	Medium		3.2	3.10	322	61
32	Heavy		4.0	3.80	263	61
40	Extra Light	48.3	2.3	2.61	382	61
40	Light		2.9	3.25	308	61
40	Medium		3.2	3.57	280	61
40	Heavy		4.0	4.38	228	61
40	Extra Heavy		5.4	5.71	175	61
50	Extra Light	60.3	2.3	3.29	304	37
50	Light		2.9	4.11	244	37
50	Medium		3.6	5.03	199	37
50	Heavy		4.5	6.19	161	37
50	Extra Heavy		5.4	7.31	137	37
65	Extra Light	76.1	2.3	4.19	239	37
65	Light		3.2	5.75	174	37
65	Medium		3.6	6.43	156	37
65	Heavy		4.5	7.93	126	37
65	Extra Heavy		5.9	10.2	97.9	37
80	Extra Light	88.9	2.6	5.53	181	19
80	Light		3.2	6.76	148	19
80	Medium		4.0	8.37	120	19
80	Heavy		5.0	10.3	96.8	19
80	Extra Heavy		5.9	12.1	82.8	19
90	Extra Light	101.6	2.6	6.35	158	19
90	Light		3.2	7.77	129	19
90	Medium		4.0	9.63	104	19
90	Heavy		5.0	11.9	84.0	19
100	Extra Light	114.3	3.2	8.77	114	19
100	Light		3.6	9.83	102	19
100	Medium		4.5	12.2	82.2	19
100	Heavy		5.4	14.5	69.1	19
125	Extra Light	139.7	3.0	10.1	98.9	13
125	Light		3.5	11.8	85.1	13
125	Medium		5.0	16.6	60.2	13
125	Heavy		5.4	17.9	55.9	13
150	Extra Light	165.1	3.0	12.0	83.4	10
150	Light		3.5	13.9	71.7	10
150	Medium		5.0	19.7	50.7	10
150	Heavy		5.4	21.3	47.0	10

Note: InfraBuild Steel Centre reserve the right to change specifications without notice. Not all products are available at all InfraBuild Steel Centre branches. InfraBuild Steel Centre also has access to a wide network of products not necessarily listed in this book. Please check with your local InfraBuild Steel Centre branch for product availability.



### Typical Uses:

- Engineering Construction
- Residential Construction
- Non-Residential Construction
- Mining Investment
- Transport and Storage
- Manufacturing
- Agriculture

### Features:

- Extra Light and Light sections meet AS/NZS 1163: 2016 C350L0
- Medium and Heavy sections meet AS 1074 & AS/NZS 1163 - C250



## Circular Hollow Sections (CHS)

DuraGalPLUS™

Nominal Size (DN)	Section	Outside Diameter mm	Wall Thickness mm	Mass kg/m	Metres per tonne	Pack Size (Lns)
25	Extra Light	33.7	2.0	1.56	641	91
25	Light		2.6	1.99	503	91
25	Medium		3.2	2.41	415	91
32	Extra Light	42.4	2.0	1.99	503	61
32	Light		2.6	2.55	392	61
32	Medium		3.2	3.10	323	61
40	Extra Light	48.3	2.3	2.61	383	61
40	Light		2.9	3.25	308	61
40	Medium		3.2	3.57	280	61
50	Extra Light	60.3	2.3	3.29	304	37
50	Light		2.9	4.11	243	37
50	Medium		3.6	5.03	199	37
65	Extra Light	76.1	2.3	4.19	239	37
65	Light		3.2	5.75	174	37
65	Medium		3.6	6.43	156	37
80	Extra Light	88.9	2.6	5.53	181	19
80	Light		3.2	6.76	148	19
80	Medium		4.0	8.37	119	19
90	Light	101.6	3.2	7.77	129	19
90	Medium		4.0	9.63	104	19
100	Light	114.3	3.6	9.83	102	19
100	Medium		4.5	12.20	82	19



DuraGal Plus™

### Typical Uses:

- Engineering Construction
- Residential Construction
- Non-Residential Construction
- Mining Investment
- Transport and Storage
- Manufacturing
- Agriculture

### Features:

- Specifications AS/NZS 1163: 2016 C350L0
- AS/NZS 4792: 2006 ZB 100/100



## Circular Hollow Sections (CHS)

DuraPrimed Red™

Nominal Size (DN)	Section	Outside Diameter mm	Wall Thickness mm	Mass kg/m	Metres per tonne	Pack Size (Lns)
25	Medium	33.7	3.2	2.41	415	91
32	Medium	42.4	3.2	3.1	323	61
40	Medium	48.3	3.2	3.57	280	61
50	Medium	60.3	3.6	5.03	199	37
65	Medium	76.1	3.6	6.43	156	37
80	Medium	88.9	4.0	8.37	119	19
100	Medium	114.3	4.5	12.2	82	19

### Typical Uses:

- Fire System Tube

### Features:

- Dual Specified AS 1074 and AS/NZS 1163 C250L0
- Available in plain ends, screwed one end and screwed both ends

## Circular Hollow Sections (CHS)

Hot-dip Galvanised

Nominal Size (DN)	Section	Outside Diameter mm	Wall Thickness mm	Mass kg/m	Metres per tonne	Pack Size (Lns)
32	Heavy	42.4	4.0	3.87	258	61
40	Heavy	48.3	4.0	4.46	224	61
50	Medium	60.3	3.6	5.14	195	37
50	Heavy	60.3	4.5	6.30	159	37
65	Medium	76.1	3.6	6.56	152	37
65	Heavy	76.1	4.5	8.07	124	37
80	Extra Light	88.9	2.6	5.75	174	19
80	Light	88.9	3.2	6.92	145	19
80	Medium	88.9	4.0	8.53	117	19
80	Heavy	88.9	5.0	10.50	95	19
90	Extra Light	101.6	2.6	6.64	151	19
90	Light	101.6	3.2	8.02	125	19
90	Medium	101.6	4.0	9.81	102	19
90	Heavy	101.6	5.0	12.10	83	19
100	Extra Light	114.3	3.2	9.05	110	19
100	Light	114.3	3.6	10.00	100	19
100	Medium	114.3	4.5	12.40	81	19
100	Heavy	114.3	5.4	14.70	68	19
125	Extra Light	139.7	3.0	10.50	95	10
125	Light	139.7	3.5	12.10	83	10
125	Medium	139.7	5.0	16.90	59	10
125	Heavy	139.7	5.4	18.10	55	10
150	Extra Light	165.1	3.0	12.40	81	10
150	Light		3.5	14.40	69	10
150	Medium		5.0	20.00	50	10
150	Heavy		5.4	21.60	46	10



### Typical Uses:

- Engineering Construction
- Residential Construction
- Non-Residential Construction
- Mining Investment
- Transport and Storage
- Manufacturing
- Agriculture

### Features:

- Specifications AS 1074 C250L0, AS/NZS 4680:2006 300g/m<sup>2</sup>

## Circular Hollow Sections (CHS)

Black

Size d x t mm	Mass kg/m	Size d x t mm	Mass kg/m	Size d x t mm	Mass kg/m
60.3 x 4.0	5.42	141.3 x 7.1		273.1 x 15.1	
60.3 x 4.8	6.50	141.3 x 8.2		323.9 x 4.0	
60.3 x 5.2	7.02	141.3 x 8.6		323.9 x 4.8	37.77
76.1 x 4.0		141.3 x 9.3		323.9 x 5.2	
76.1 x 4.8		141.3 x 9.5	30.88	323.9 x 5.5	43.06
76.1 x 5.2		168.3 x 4.0	16.20	323.9 x 5.7	
76.1 x 5.5		168.3 x 4.8	19.40	323.9 x 6.0	
76.1 x 5.7		168.3 x 5.2		323.9 x 6.4	50.11
76.1 x 6.0		168.3 x 5.5		323.9 x 6.6	
76.1 x 6.4		168.3 x 5.7		323.9 x 7.1	55.04
76.1 x 6.6		168.3 x 6.0		323.9 x 8.2	64.20
76.1 x 7.1		168.3 x 6.4	25.55	323.9 x 8.6	66.87
88.9 x 4.0	8.37	168.3 x 6.6		323.9 x 9.3	
88.9 x 4.8	10.53	168.3 x 7.1	28.22	323.9 x 9.5	73.67
88.9 x 5.2		168.3 x 8.2	33.06	323.9 x 11.0	85.62
88.9 x 5.5	11.31	168.3 x 8.6		323.9 x 12.7	97.50
88.9 x 5.7		168.3 x 9.3		323.9 x 14.0	108.00
88.9 x 6.0		168.3 x 9.5	38.30	323.9 x 15.1	
88.9 x 6.4		168.3 x 11.0	42.56	323.9 x 16.0	
88.9 x 6.6		219.1 x 4.0	21.22	355.6 x 4.25	
88.9 x 7.6	15.24	219.1 x 4.8	25.37	355.6 x 4.8	
101.6 x 4.0		219.1 x 5.2		355.6 x 5.2	
101.6 x 4.8		219.1 x 5.5	28.97	355.6 x 5.5	
101.6 x 5.2		219.1 x 5.7		355.6 x 5.7	
101.6 x 5.5		219.1 x 6.0		355.6 x 6.0	
101.6 x 5.7	13.48	219.1 x 6.4	33.57	355.6 x 6.4	55.10
101.6 x 6.0		219.1 x 6.6		355.6 x 6.6	
101.6 x 6.4		219.1 x 7.1	38.41	355.6 x 7.1	
101.6 x 6.6		219.1 x 8.2	42.65	355.6 x 8.2	
101.6 x 7.1		219.1 x 8.6		355.6 x 8.6	
101.6 x 8.2	18.68	219.1 x 9.3		355.6 x 9.3	
114.3 x 4.0	11.27	219.1 x 9.5		355.6 x 9.5	81.10
114.3 x 4.8	12.96	219.1 x 11.0		355.6 x 11.0	
114.3 x 5.2		219.1 x 12.7	64.65	355.6 x 12.7	107.00
114.3 x 5.5		273.1 x 4.0		355.6 x 14.0	
114.3 x 5.7		273.1 x 4.8	31.76	355.6 x 15.1	
114.3 x 6.0	16.03	273.1 x 5.2	34.12	355.6 x 16.0	
114.3 x 6.4		273.1 x 5.5	36.17	355.6 x 17.0	
114.3 x 6.6		273.1 x 5.7		406.4 x 4.25	
114.3 x 7.1		273.1 x 6.0	42.09	406.4 x 4.8	
114.3 x 8.2		273.1 x 6.4	42.10	406.4 x 5.2	
114.3 x 8.6	22.42	273.1 x 6.6		406.4 x 5.5	
141.3 x 4.0		273.1 x 7.1		406.4 x 5.7	
141.3 x 4.8	16.16	273.1 x 8.2		406.4 x 6.0	
141.3 x 5.2		273.1 x 8.6		406.4 x 6.4	63.10
141.3 x 5.5		273.1 x 9.3	60.50	406.4 x 6.6	
141.3 x 5.7		273.1 x 9.5		406.4 x 7.1	
141.3 x 6.0		273.1 x 11.0		406.4 x 8.2	
141.3 x 6.4		273.1 x 12.7	81.60	406.4 x 8.6	
141.3 x 6.6	21.93	273.1 x 14.0		406.4 x 9.3	



### Features:

- Dual Grade API 5L B/X42 and AS/NZS 1163: 2016 C350L0

## Structural CHS

Size d x t mm	Mass kg/m	Size d x t mm	Mass kg/m	Size d x t mm	Mass kg/m
406.4 x 9.5	93.00	508.0 x 6.0		610 x 16.0	
406.4 x 11.0		508.0 x 6.4	79.20	610 x 17.0	
406.4 x 12.7	123.00	508.0 x 6.6		610 x 19.0	
406.4 x 14.0		508.0 x 7.1		660 x 6.0	
406.4 x 15.1		508.0 x 8.2		660 x 6.4	
406.4 x 16.0		508.0 x 8.6		660 x 6.6	
406.4 x 17.0		508.0 x 9.3		660 x 7.1	
457.0 x 4.8		508.0 x 9.5	117.00	660 x 8.2	
457.0 x 5.2		508.0 x 11.0		660 x 8.6	
457.0 x 5.5		508.0 x 12.7	155.00	660 x 9.3	
457.0 x 5.7		508.0 x 14.0		660 x 9.5	
457.0 x 6.0		508.0 x 15.1		660 x 11.0	
457.0 x 6.4	71.10	508.0 x 16.0		660 x 12.7	
457.0 x 6.6		508.0 x 17.0		660 x 14.0	
457.0 x 7.1		508.0 x 19.0		660 x 15.1	
457.0 x 8.2		610 x 6.0		660 x 16.0	
457.0 x 8.6		610 x 6.4		660 x 17.0	
457.0 x 9.3		610 x 6.6		660 x 19.0	
457.0 x 9.5	105.00	610 x 7.1			
457.0 x 11.0		610 x 8.2			
457.0 x 12.7	139.00	610 x 8.6			
457.0 x 14.0		610 x 9.3			
457.0 x 15.1		610 x 9.5			
457.0 x 16.0		610 x 11.0			
457.0 x 17.0		610 x 12.7			
508.0 x 5.5		610 x 14.0			
508.0 x 5.7		610 x 15.1			



### Features:

- Dual Grade API 5L B/X42 and AS/NZS 1163 C350L0



## Peace of Mind With DuraGalPLUS™

Given the diverse climate and geography of the Australian landscape, only a DuraGalPLUS™ coating can give you the peace of mind that you have the protection you need for the job at hand. DuraGalPLUS™ can be used in a variety of residential construction applications such as roof trusses, fencing, verandahs, elevated flooring solutions and shade structures. It is also commonly applied across a variety of other sectors including mining, commercial, engineering, manufacturing, agriculture and transport.



Call your local branch to discuss your requirements

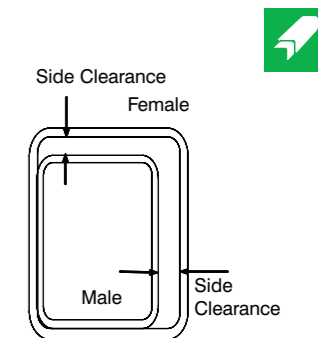


## Telescoping RHS

### Rectangular Hollow Sections

Female (Outer)			Nominal Clearance		Male (Inner)	
d mm	b mm	t mm	Top mm	Side mm	d mm	b mm
50	20	1.6				
50	20	2.0				
50	20	2.5		No section available		
50	20	3.0				
50	25	1.6				
50	25	2.0				
50	25	2.5		No section available		
50	25	3.0				
65	35	2.0	11.0	6.0	50	25
65	35	2.5	10.0	5.0	50	25
65	35	3.0	9.0	4.0	50	25
65	35	4.0	7.0	2.0	50	25
75	25	1.6	21.8	1.8	50	20
75	25	2.0	21.0	1.0	50	20
75	25	2.5	20.0	0.0	50	20
75	50	1.6	6.8	11.8	65	35
75	50	2.0	6.0	11.0	65	35
75	50	2.5	5.0	10.0	65	35
75	50	3.0	4.0	9.0	65	35
75	50	4.0	2.0	7.0	65	35
75	50	5.0	0.0	5.0	65	35
75	50	6.0	13.0	13.0	50	25
100	50	1.6	20.8	20.8	76	38
100	50	2.0	20.0	20.0	76	38
100	50	2.5	19.0	19.0	76	38
100	50	3.0	18.0	18.0	76	38
100	50	3.5	17.0	17.0	76	38
100	50	4.0	16.0	16.0	76	38
100	50	5.0	14.0	14.0	76	38
100	50	6.0	12.0	12.0	76	38
125	75	2.0	21.0	21.0	100	50
125	75	2.5	20.0	20.0	100	50
125	75	3.0	19.0	19.0	100	50
125	75	4.0	17.0	17.0	100	50
125	75	5.0	15.0	15.0	100	50
125	75	6.0	13.0	13.0	100	50
200	100	4.0	40.0	40.0	152	76
200	100	5.0	38.0	38.0	152	76
200	100	6.0	36.0	36.0	152	76
200	100	9.0	30.0	30.0	152	76
250	150	5.0	40.0	40.0	200	100
250	150	6.0	38.0	38.0	200	100
250	150	9.0	32.0	32.0	200	100

AVAILABLE WA ONLY



**Note:** RHS is not a precision tube and all dimensions shown in the chart, although in accordance with the specifications, may vary marginally within the tolerance bands permitted.

Sizes shown in bold print are sizes that provide a clearance of less than 2.0mm. The internal weld bead and variation in corner radii between sections will need to be considered when closer fits are indicated. Where telescoping over some length is desired, additional allowance may be needed for straightness. For tight fits it is suggested that some form of testing be carried out prior to committing material.

**How to use this chart**  
See page 41

**Note:** See page 34 for Circular Hollow Sections and 25 for Square Hollow Sections.



## Processing Capabilities

InfraBuild Steel Centre's national network of branches gives you access to an expansive range of processing solutions combined with a large range of products, project management and technical expertise.

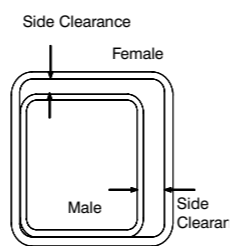
InfraBuild Steel Centre's comprehensive range of in-house processing equipment and proven experience will assist you in reducing risk on your projects whilst maximising the quality of results.



# Telescoping SHS

## Square Hollow Sections

Female (Outer)			Nominal Clearance		Male (Inner)	
d mm	b mm	t mm	Top mm	Side mm	d mm	b mm
20	20	1.6	1.8	1.8		
25	25	1.6	1.8	1.8	20	20
25	25	2.0	1.0	1.0	20	20
25	25	2.5	0.0	0.0	20	20
30	30	1.6	1.8	1.8	25	25
30	30	2.0	1.0	1.0	25	25
35	35	1.6	1.8	1.8	30	30
35	35	2.0	1.0	1.0	30	30
35	35	2.5	0.0	0.0	30	30
35	35	3.0	4.0	4.0	25	25
40	40	1.6	1.8	1.8	35	35
40	40	2.0	1.0	1.0	35	35
40	40	2.5	0.0	0.0	35	35
40	40	3.0	4.0	4.0	30	30
40	40	4.0	2.0	2.0	30	30
50	50	1.6	6.8	6.8	40	40
50	50	2.0	6.0	6.0	40	40
50	50	2.5	5.0	5.0	40	40
50	50	3.0	4.0	4.0	40	40
50	50	4.0	2.0	2.0	40	40
50	50	5.0	0.0	0.0	40	40
65	65	1.6	11.8	11.8	50	50
65	65	2.0	11.0	11.0	50	50
65	65	2.5	10.0	10.0	50	50
65	65	3.0	9.0	9.0	50	50
65	65	4.0	7.0	7.0	50	50
65	65	5.0	5.0	5.0	50	50
65	65	6.0	3.0	3.0	50	50
75	75	2.0	6.0	6.0	65	65
75	75	2.5	5.0	5.0	65	65
75	75	3.0	4.0	4.0	65	65
75	75	3.5	3.0	3.0	65	65
75	75	4.0	2.0	2.0	65	65
75	75	5.0	0.0	0.0	65	65
75	75	6.0	13.0	13.0	50	50
89	89	3.5	7.0	7.0	75	75
89	89	5.0	4.0	4.0	75	75
89	89	6.0	2.0	2.0	75	75
90	90	2.0	11.0	11.0	75	75
90	90	2.5	10.0	10.0	75	75
100	100	2.0	7.1	7.1	89	89
100	100	2.5	6.1	6.1	89	89
100	100	3.0	5.1	5.1	89	89
100	100	4.0	3.1	3.1	89	89
100	100	5.0	1.1	1.1	89	89
100	100	6.0	13.0	13.0	75	75
100	100	9.0	7.0	7.0	75	75
125	125	4.0	17.0	17.0	100	100
125	125	5.0	15.0	15.0	100	100



**Note:** SHS is not a precision tube and all dimensions shown in the chart, although in accordance with the specifications, may vary marginally within the tolerance bands permitted.

Sizes shown in bold print are sizes that provide a clearance of less than 2.0mm. The internal weld bead and variation in corner radii between sections will need to be considered when closer fits are indicated. Where telescoping over some length is desired, additional allowance may be needed for straightness. For tight fits it is suggested that some form of testing be carried out prior to committing material.

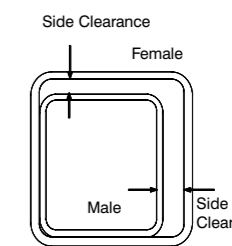
**How to use this chart**  
See page 41

**Note:** See page 34 for Circular Hollow Sections and 27 for Rectangular Hollow Sections.

# Telescoping SHS

## Square Hollow Sections

Female (Outer)			Nominal Clearance		Male (Inner)	
d mm	b mm	t mm	Top mm	Side mm	d mm	b mm
125	125	6.0	13.0	13.0	100	100
125	125	9.0	7.0	7.0	100	100
150	150	5.0	15.0	15.0	125	125
150	150	6.0	13.0	13.0	125	125
150	150	9.0	7.0	7.0	125	125
200	200	5.0	40.0	40.0	150	150
200	200	6.0	38.0	38.0	150	150
200	200	9.0	32.0	32.0	150	150
250	250	6.0	38.0	38.0	200	200
250	250	9.0	32.0	32.0	200	200



**Note:** SHS is not a precision tube and all dimensions shown in the chart, although in accordance with the specifications, may vary marginally within the tolerance bands permitted.

Sizes shown in bold print are sizes that provide a clearance of less than 2.0mm. The internal weld bead and variation in corner radii between sections will need to be considered when closer fits are indicated. Where telescoping over some length is desired, additional allowance may be needed for straightness. For tight fits it is suggested that some form of testing be carried out prior to committing material.

**Note:** See page 34 for Circular Hollow Sections and 27 for Rectangular Hollow Sections.

### How to use this chart

1. Select the appropriate table for the type of hollow section required. Select the size of female (or outside) member closest to your requirements for the left hand column.
2. Depending on the application select the clearance required between the two members. Members may need to slide freely inside each other, or be locked with a pin, spot welded or fixed with wedges. This means, in some cases, a 'sloppy' fit may be suitable, while for others the tightest fit possible may be more appropriate.
3. Having selected the most suitable clearance for your application, take the appropriate size of the male (inner) section from the right hand column, eg:
  - Female Section (outer) 75 x 75 x 3.0
  - Clearance mm 4.0x4.0
  - Male Section (inner) 65 x 65
4. Where two telescoping sections are being used, thickness should be similar and will be determined by normal structural requirements. If a third section is to be used, consideration of both clearance and thickness within the size list available may be required.
5. RHS has the obvious advantage that its shape prevents rotation of the sections. When pipe is used it may need to be fixed against twisting by welding or bolting.
6. Press Fit. For short pieces with no need for separation or sliding an interference fit can be achieved using the available ductility of the steel.

**Note:** Sizes where clearance is shown as 0.0 will generally require press fit.

**Note:** Clearance is total available difference between member dimensions, not the gap on both sides.

# Telescoping CHS

## Circular Hollow Sections

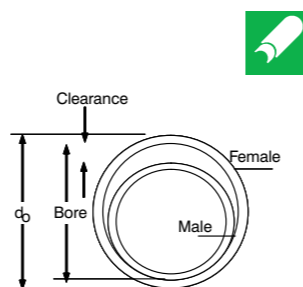
### How to use this chart

- Select the size of female (or outside) member closest to your requirements for the left hand column.
- Depending on the application select the clearance required between the two members. Members may need to slide freely inside each other, or be locked with a pin, spot welded or fixed with wedges. This means, in some cases, a 'sloppy' fit may be suitable, while for others the tightest fit possible may be more appropriate. (See Note 6 Press Fit).
- Having selected the most suitable clearance for your application, take the appropriate size of the male (inner) section from the right hand column, eg:
  - Female Section (outer) 76.1 x 5.9
  - Clearance mm 2.6
  - Male Section (inner) 60.3
- Where two telescoping sections are being used, thickness should be similar and will be determined by normal structural requirements. If a third section is to be used, consideration of both clearance and thickness within the size list available may be required.
- Pipe may need to be fixed against twisting by welding or bolting.
- Press Fit. For short pieces with no need for separation or sliding an interference fit can be achieved using the available ductility of the steel.

**Note:** Sizes where clearance is shown as 0.0 will generally require press fit.

**Note:** Clearance is total available difference between member dimensions, not the gap on both sides.

Female (Outer)			Male (Inner)		
DN	Quality	do t mm x mm	DN	di mm	Min. Clearance mm
20	Extra Light	26.9 x 2.0	15	21.3	0.4
25	Extra Light	33.7 x 2.0	20	26.9	1.6
25	Light	33.7 x 2.6	20	26.9	0.4
25	Medium	33.7 x 3.2	15	21.3	4.8
25	Heavy	33.7 x 4.0	15	21.3	3.2
32	Extra Light	42.4 x 2.0	25	33.7	3.5
32	Light	42.4 x 2.6	25	33.7	2.3
32	Medium	42.4 x 3.2	25	33.7	1.1
32	Heavy	42.4 x 4.0	20	26.9	6.3
40	Extra Light	48.3 x 2.3	32	42.4	0.1
40	Light	48.3 x 2.9	25	33.7	7.6
40	Medium	48.3 x 3.2	25	33.7	7.0
40	Heavy	48.3 x 4.0	25	33.7	5.4
40	Extra Heavy	48.3 x 5.4	25	33.7	2.6
50	Extra Light	60.3 x 2.3	40	48.3	6.4
50	Light	60.3 x 2.9	40	48.3	5.2
50	Medium	60.3 x 3.6	40	48.3	3.8
50	Heavy	60.3 x 4.5	40	48.3	2.0
50	Extra Heavy	60.3 x 5.4	40	48.3	0.2



**Note:** Clearance = (AS/NZS 1163 Min do - 2t) - (AS/NZS 1163 Max di).

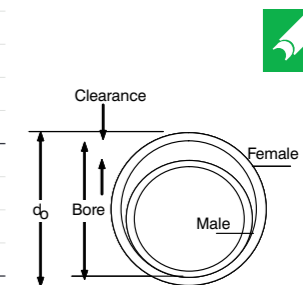
**Note:** CHS is not a precision tube and all dimensions shown in the chart, although in accordance with the specifications, may vary marginally within the tolerance bands permitted.

Sizes shown in bold print are sizes that provide a clearance of less than 2.0mm. The internal weld bead and variation in corner radii between sections will need to be considered when closer fits are indicated. Where telescoping over some length is desired, additional allowance may be needed for straightness. For tight fits it is suggested that some form of testing be carried out prior to committing material.

# Telescoping CHS

## Circular Hollow Sections (CONTINUED)

Female (Outer)			Male (Inner)		
DN	Quality	do t mm x mm	DN	di mm	Min. Clearance mm
65	Extra Light	76.1 x 2.3	50	60.3	9.8
65	Galtube® Plus	76.1 x 2.6	50	60.3	9.2
65	Light	76.1 x 3.2	50	60.3	8.0
65	Medium	76.1 x 3.6	50	60.3	7.2
65	Heavy	76.1 x 4.5	50	60.3	5.4
65	Extra Heavy	76.1 x 5.4	50	60.3	2.6
80	Extra Light	88.9 x 2.6	65	76.1	6.0
80	Light	88.9 x 3.2	65	76.1	4.8
80	Medium	88.9 x 4.0	65	76.1	3.2
80	Heavy	88.9 x 5.0	65	76.1	1.2
80	Extra Heavy	88.9 x 5.9	50	60.3	15.3
90	Extra Light	101.6 x 2.6	80	88.9	5.6
90	Light	101.6 x 3.2	80	88.9	4.4
90	Medium	101.6 x 4.0	80	88.9	2.8
90	Heavy	101.6 x 5.0	80	88.9	0.8
100	Extra Light	114.3 x 3.2	90	101.6	4.1
100	Light	114.3 x 3.6	90	101.6	3.3
100	Medium	114.3 x 4.5	90	101.6	1.5
100	Heavy	114.3 x 5.4	80	88.9	12.6
125	Extra Light	139.7 x 3.0	100	114.3	16.9
125	Light	139.7 x 3.5	100	114.3	15.9
125	Medium	139.7 x 5.0	100	114.3	12.9
125	Heavy	139.7 x 5.4	100	114.3	12.1
150	Light	165.1 x 3.0	125	139.7	15.4
150	Medium	165.1 x 5.0	125	139.7	12.4
150	Heavy	165.1 x 5.4	125	139.7	11.6



**Note:** Clearance = (AS/NZS 1163 Min do - 2t) - (AS/NZS 1163 Max di).

**Note:** CHS is not a precision tube and all dimensions shown in the chart, although in accordance with the specifications, may vary marginally within the tolerance bands permitted.

Sizes shown in bold print are sizes that provide a clearance of less than 2.0mm. The internal weld bead and variation in corner radii between sections will need to be considered when closer fits are indicated. Where telescoping over some length is desired, additional allowance may be needed for straightness. For tight fits it is suggested that some form of testing be carried out prior to committing material.

**How to use this chart**  
See page 41

## End Colour Codes

Square and Rectangular sections (RHS)

Colour	Wall Thickness
	mm
Purple	1.6
Chocolate Brown	1.8
Yellow	2.0
Silver	2.3
Pink	2.5
Gold	2.8
Dark Blue	3.0
Grey	3.5
Green	4.0
Orange	5.0
White	6.0
Pink	7.0
Red	8.0
Purple	9.0



**Note:** Meets AS/NZS 4496:1997 (Recommended practice for the colour coding of steel products).



## End Colour Codes

Circular Sections (CHS)

Colour	Gauge
Green end	Extra light (XL)
Yellow end	Light (L)
Blue end	Medium (M)
Red end	Heavy (H)
Cream end	Extra heavy (XH)



**Note:** Meets AS/NZS 4496:1997 (Recommended practice for the colour coding of steel products).



## Plate

### Flat Plate

Grade 250

Thickness mm	Mass kg/m	Width mm	Length m	kg/lineal metre of plate width
5	39.25	2400	6.0	94.20
5	39.25	2400	9.0	94.20
5	39.25	3000	9.0	117.75
6	47.10	2400	6.0	113.04
6	47.10	2400	9.0	113.04
6	47.10	3000	9.0	141.30
6	47.10	3200	12	150.72
8	62.80	1800	6.0	113.04
8	62.80	2400	6.0	150.72
8	62.80	2400	9.0	150.72
8	62.80	3000	9.0	188.40
8	62.80	3200	12	200.96
10	78.50	1800	6.0	141.30
10	78.50	2400	6.0	188.40
10	78.50	2400	9.0	188.40
10	78.50	3000	9.0	235.50
10	78.50	3200	12	251.20
12	94.20	1800	6.0	169.56
12	94.20	2400	6.0	226.08
12	94.20	2400	9.0	226.08
12	94.20	3000	6.0	282.60
12	94.20	3000	9.0	282.60
12	94.20	3200	12	301.44
16	125.60	1800	6.0	226.08
16	125.60	2400	6.0	301.44
16	125.60	2400	9.0	301.44
16	125.60	3000	6.0	376.80
16	125.60	3000	9.0	376.80
16	125.60	3200	12	401.92
20	157.00	1800	6.0	282.60
20	157.00	2400	6.0	376.80
20	157.00	2400	9.0	376.80
20	157.00	3000	9.0	471.00
20	157.00	3200	12	502.40
25	196.25	1800	6.0	353.25
25	196.25	2400	6.0	471.00
25	196.25	2400	9.0	471.00
25	196.25	3000	9.0	588.75
25	196.25	3200	12	628.00
28	219.80	2400	6.0	527.52
28	219.80	2400	9.0	527.52
32	251.20	1800	6.0	452.16
32	251.20	2400	6.0	602.88
32	251.20	2400	9.0	602.88
32	251.20	3000	9.0	753.60
36	282.60	2400	6.0	678.24
36	282.60	2400	9.0	678.24
40	314.00	1800	6.0	565.20
40	314.00	2400	6.0	753.60
40	314.00	2400	9.0	753.60



#### Typical Uses:

- General fabrication
- Structural members
- High-rise buildings
- Bridges
- Storage tanks

#### Features:

- Meets AS/NZ 3678:2016. (Structural Steel, Hot Rolled Floor Plates & slabs).
- A medium strength structural steel plate product with nominal yield strength of 250 MPa

## End Colour Codes

Square and Rectangular sections (RHS)

Colour	Wall Thickness
	mm
Purple	1.6
Chocolate Brown	1.8
Yellow	2.0
Silver	2.3
Pink	2.5
Gold	2.8
Dark Blue	3.0
Grey	3.5
Green	4.0
Orange	5.0
White	6.0
Pink	7.0
Red	8.0
Purple	9.0



**Note:** Meets AS/NZS 4496:1997 (Recommended practice for the colour coding of steel products).



## End Colour Codes

Circular Sections (CHS)

Colour	Gauge
Green end	Extra light (XL)
Yellow end	Light (L)
Blue end	Medium (M)
Red end	Heavy (H)
Cream end	Extra heavy (XH)



**Note:** Meets AS/NZS 4496:1997 (Recommended practice for the colour coding of steel products).



## Plate

### Flat Plate

Grade 250

Thickness mm	Mass kg/m	Width mm	Length m	kg/lineal metre of plate width
5	39.25	2400	6.0	94.20
5	39.25	2400	9.0	94.20
5	39.25	3000	9.0	117.75
6	47.10	2400	6.0	113.04
6	47.10	2400	9.0	113.04
6	47.10	3000	9.0	141.30
6	47.10	3200	12	150.72
8	62.80	1800	6.0	113.04
8	62.80	2400	6.0	150.72
8	62.80	2400	9.0	150.72
8	62.80	3000	9.0	188.40
8	62.80	3200	12	200.96
10	78.50	1800	6.0	141.30
10	78.50	2400	6.0	188.40
10	78.50	2400	9.0	188.40
10	78.50	3000	9.0	235.50
10	78.50	3200	12	251.20
12	94.20	1800	6.0	169.56
12	94.20	2400	6.0	226.08
12	94.20	2400	9.0	226.08
12	94.20	3000	6.0	282.60
12	94.20	3000	9.0	282.60
12	94.20	3200	12	301.44
16	125.60	1800	6.0	226.08
16	125.60	2400	6.0	301.44
16	125.60	2400	9.0	301.44
16	125.60	3000	6.0	376.80
16	125.60	3000	9.0	376.80
16	125.60	3200	12	401.92
20	157.00	1800	6.0	282.60
20	157.00	2400	6.0	376.80
20	157.00	2400	9.0	376.80
20	157.00	3000	9.0	471.00
20	157.00	3200	12	502.40
25	196.25	1800	6.0	353.25
25	196.25	2400	6.0	471.00
25	196.25	2400	9.0	471.00
25	196.25	3000	9.0	588.75
25	196.25	3200	12	628.00
28	219.80	2400	6.0	527.52
28	219.80	2400	9.0	527.52
32	251.20	1800	6.0	452.16
32	251.20	2400	6.0	602.88
32	251.20	2400	9.0	602.88
32	251.20	3000	9.0	753.60
36	282.60	2400	6.0	678.24
36	282.60	2400	9.0	678.24
40	314.00	1800	6.0	565.20
40	314.00	2400	6.0	753.60
40	314.00	2400	9.0	753.60



#### Typical Uses:

- General fabrication
- Structural members
- High-rise buildings
- Bridges
- Storage tanks

#### Features:

- Meets AS/NZ 3678:2016. (Structural Steel, Hot Rolled Floor Plates & slabs).
- A medium strength structural steel plate product with nominal yield strength of 250 MPa



## Flat Plate

Grade 250

Thickness mm	Mass kg/m	Width mm	Length m	kg/lineal metre of plate width
45	353.25	2400	6.0	847.80
45	353.25	2400	9.0	847.80
50	392.50	1800	6.0	706.50
50	392.50	2400	6.0	942.00
50	392.50	2400	9.0	942.00
55	431.75	2400	6.0	1036.20
55	431.75	2400	8.4	1036.20
60	471.00	1800	6.0	847.80
60	471.00	2400	6.4	1130.40
70	549.50	1800	6.0	989.10
70	549.50	2400	6.0	1318.80
80	628.00	1800	6.0	1130.40
80	628.00	2400	5.2	1507.20
90	706.50	1800	6.0	1695.60
100	785.00	1800	5.6	1413.00
100	785.00	2400	4.0	1884.00
110	863.50	1800	5.0	1554.30
110	863.50	2400	3.7	2072.40
120	942.00	1800	4.6	1695.60
120	942.00	2400	3.1	2260.80
130	1021.0	1800	4.2	1837.80
130	1021.0	2400	3.1	2450.40
140	1099.0	1800	3.85	1978.20
140	1099.0	2400	2.9	2637.60
150	1177.5	1800	3.6	2119.50
150	1177.5	2400	2.7	2826.00



### Typical Uses:

- General fabrication
- Structural members
- High-rise buildings
- Bridges
- Storage tanks

### Features:

- Meets AS/NZ 3678:2016. (Structural Steel, Hot Rolled Floor Plates & slabs).
- A medium strength structural steel plate product with nominal yield strength of 250 MPa

## Flat Plate

Grade 350

Thickness mm	Mass kg/m	Width mm	Length m	kg/lineal metre of plate width
5	39.25	2400	6.0	94.20
5	39.25	2400	9.0	94.20
5	39.25	3000	9.0	117.75
6	47.10	2400	9.6	113.04
8	62.80	2400	9.6	150.72
10	78.50	2400	9.6	188.40
10	78.50	3100	9.6	243.35
12	94.20	2400	9.6	226.08
12	94.20	3100	9.6	292.02
16	125.60	2400	9.6	301.44
16	125.60	3100	9.6	389.36
20	157.00	2400	9.6	376.80
20	157.00	3100	9.6	486.70
25	196.25	2400	9.6	471.00
32	251.20	2400	9.6	602.88
40	314.00	2400	7.6	753.60
50	392.50	2400	7.6	942.00
60	471.00	2400	7.6	1130.40
70	549.50	2400	6.0	1318.80
80	628.00	2400	5.5	1507.20
90	706.5	2400	6.3	1695.6
90	706.5	2400	3.15	1695.6
100	785	2100	6.5	1648.5
100	785	2100	3.25	1648.5



### Typical Uses:

- General fabrication
- Structural members
- High-rise buildings
- Bridges
- Storage tanks

### Features:

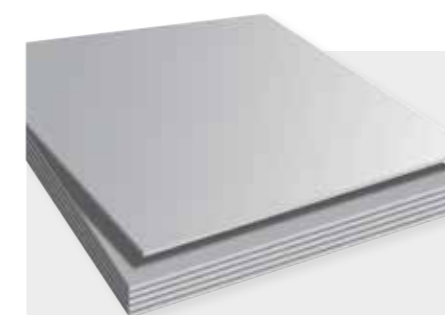
- Meets AS/NZ 3678: 2016 (Structural Steel, Hot Rolled Floor Plates & slabs).
- A medium strength structural steel plate product with nominal yield strength of 350 MPa



## XLERPLATE® Steel Plate

XLERPLATE® steel's consistent quality makes your manufacturing processes more efficient, helping you maintain your quality assurance and enhances your reputation as a supplier of high-calibre products.

Call your local branch to discuss your requirements



## Plate Processing

InfraBuild Steel Centre can offer various plate processing options including Oxy profiling and bevelling, Plasma cutting, Flame cutting and cropping. We can also cut shapes, letters and numbers.

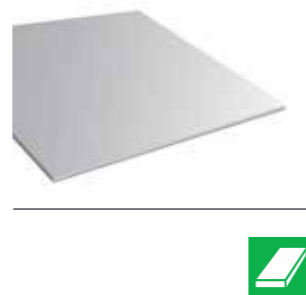
**Applications include:** Stripping, bevel cutting, stitch cutting, notching, punching, shearing & cropping.

Call your local branch to discuss your requirements

## Plate

### K1042 Plate

Thickness mm	Mass kg/m	Width mm	Length m	kg/lineal metre of plate width
12	94.20	2400	6.0	226.08
16	125.60	2400	6.2	301.44
20	157.00	2400	6.0	376.80
25	196.25	2400	6.0	471.00
32	251.20	2400	6.3	602.88
40	314.00	2400	7.6	753.60
50	392.50	2400	6.0	942.00
60	471.00	2400	6.0	1130.40
70	549.50	2400	5.8	1318.80
80	628.00	2400	5.0	1507.20



#### Typical Uses:

- General engineering parts
- Profile cut gears
- Wear/abrasion applications

#### Features:

- Meets AS/NZS 3678: 2016 - K1042
- A heat treatable plate grade for general engineering applications

## Pressure Vessel Plate

Thickness mm	Mass kg/m	Width mm	Length m	kg/lineal metre of plate width
<b>AS1548-PT430T</b>				
5	39.25	2400	9.0	94.20
<b>AS1548-PT460T</b>				
6	47.10	3100	9.6	146.01
<b>AS1548-PT460NR</b>				
8	62.80	3100	9.6	194.68
10	78.50	3100	9.6	243.35
12	94.20	3100	9.6	292.02
16	125.60	3100	9.6	389.36
20	157.00	3100	8.6	486.70
25	196.25	3100	9.6	608.38
32	251.20	2400	9.6	602.88
40	314.00	2400	9.6	753.60
50	392.50	2400	7.6	942.00
60	471.00	2400	6.0	1130.40
70	549.50	2400	6.0	1318.80
80	628.00	2400	5.2	1507.20
90	706.50	2400	5.2	1695.60
100	785.00	2400	5.2	1884.00



#### Typical Uses:

- Boiler
- Pressure Vessel

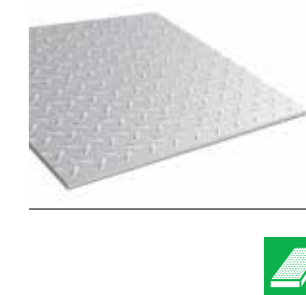
#### Features:

- Meets AS 1548:2008 (Fine grained, weldable steel plates for pressure equipment)
- A fully killed, fine grained, carbon-manganese steel with a guaranteed minimum tensile strength

## Floor Plate

### XLERPLATE® Grade 250 Steel

Thickness mm	Mass kg/m <sup>2</sup>	Width mm	Length m	Pack Mass tonnes	Non-Stock lengths	
					mm	kg/LM
6	48.60	1800	6.0	1.9	6	87.480
8	64.80	1800	6.0	1.4	8	116.640
10	80.50	1800	6.0	1.2	10	144.900
12	96.20	1800	6.0	1.0	12	173.160



#### Features:

- Meets AS/NZS 1594: 2002 Meets AS/NZS 1365: 1996 - HA250 (Flat rolled steel products)
- Hot rolled structural product with minimum yield strength of 250MPa; good ductility and good weldability

## Coil Plate

### TRU-SPEC™ HA250

Thickness mm	Mass kg/m <sup>2</sup>	Width mm	Length m	Pack Mass tonnes	Non-Stock lengths	
					mm	kg/LM
3	23.550	1200	2400	2	3	28.260
3	23.550	1200	6000	2	3	28.260
3	23.550	1500	3000	2	3	35.325
3	23.550	1500	6000	2	3	35.325
4	31.400	1200	2400	2	4	37.680
4	31.400	1500	3000	2	4	47.100
4	31.400	1500	6000	2	4	47.100
5	39.250	1200	2400	2	5	47.100
5	39.250	1500	3000	2	5	58.875
5	39.250	1500	6000	2	5	58.875
6	47.100	1200	2400	2	6	56.520
6	47.100	1500	3000	2	6	70.650
6	47.100	1500	6000	2	6	70.650
8	62.800	1200	2400	2	8	75.360
8	62.800	1500	3000	2	8	94.200
10	78.500	1200	2400	2	10	94.200
10	78.500	1500	3000	2	10	117.750
12	94.200	1200	2400	2	12	113.040
12	94.200	1500	3000	2	12	141.300



#### Typical Uses:

- Brake press forming applications
- General fabrication
- Laser cutting

#### Features:

- Meets AS/NZS 1594: 2002 Meets AS/NZS 1365: 1996
- Hot rolled structural product with minimum yield strength of 250MPa; good ductility and good weldability

## Floor Plate

TRU-SPEC™ HA250

Thickness mm	Mass kg/m <sup>2</sup>	Width mm	Length m	Pack Mass tonnes	Non-Stock lengths	
					mm	kg/LM
3	25.550	1200	2400	2	3	30.660
3	25.550	1200	6000	2	3	30.660
5	41.250	1200	2400	2	5	49.500
5	41.250	1200	6000	2	5	49.500
5	41.250	1500	6000	2	5	61.875
6	49.100	1200	6000	2	6	58.920
6	49.100	1500	6000	2	6	73.650
8	64.800	1500	6000	2	8	97.200



### Typical Uses:

- Floorplate

### Features:

- Meets AS/NZS 1594: 2002  
Meets AS/NZS 1365: 1996 - HA250  
(Flat rolled steel products)
- Hot rolled structural product with minimum yield strength of 250MPa; good ductility and good weldability

## Coil Plate

TRU-SPEC™ HA350

Thickness mm	Mass kg/m <sup>2</sup>	Width mm	Length m	Pack Mass tonnes	Non-Stock lengths	
					mm	kg/LM
5	39.250	1500	8000	2	5	58.875
6	47.100	1200	6000	2	6	56.520
6	47.100	1500	6000	2	6	70.650
8	62.800	1200	6000	2	8	75.360



### Features:

- Meets AS/NZS 1594: 2002  
Meets AS/NZS 1365: 1996
- Hot rolled structural product with minimum yield strength of 350MPa; good ductility and good weldability

## Wear Plate

BISALLOY®

Thickness mm	Mass kg/m <sup>2</sup>	BISALLOY® Wear 320 steel	BISALLOY® Wear 400 steel	BISALLOY® Wear 450 steel
		Tensile strength: Typical - 1070 MPA	Tensile strength: Typical - 1320 MPA	Tensile strength: Typical - 1400 MPA
5	39.26	1525 x 8000	1526 x 8000	
6	47.08	1525 x 8000	1526 x 8000	2485 x 8000
6	47.08	2485 x 8000	2485 x 8000	2485 x 8000
8	62.78	2485 x 8000	2486 x 8000	2485 x 8000
10	78.52	2485 x 8000	2485 x 8000	2485 x 8000
10	78.52	3100 x 8000	3100 x 8000	3100 x 8000
12	94.22	2485 x 8000	2485 x 8000	2485 x 8000
12	94.22	3100 x 8000	3100 x 8000	3100 x 8000
16	125.60	2485 x 8000	2485 x 8000	2485 x 8000
16	125.60	3100 x 8000	3100 x 8000	3100 x 8000
20	156.99	2485 x 8000	2485 x 8000	2485 x 8000
20	156.99	3100 x 8000	3100 x 8000	3100 x 8000
25	196.23	2485 x 8000	2485 x 8000	2485 x 8000
25	196.23	3100 x 8000	3100 x 8000	3100 x 8800
32	251.21	2485 x 8000	2485 x 8000	2485 x 8500
40	313.98	2485 x 8000	2485 x 8000	2485 x 8000
50	392.51	2485 x 8000	2485 x 8000	2485 x 8000
60	471.03	2485 x 6000	2485 x 6000	2485 x 6000
70	549.47	1900 x 6000	1900 x 6000	1900 x 6000
75	588.77	1900 x 6000	1900 x 6000	1900 x 6000
80	627.98	1900 x 6000	1900 x 6000	1900 x 6000
90	706.45	1600 x 6000	1600 x 6000	1900 x 6000
100	785.03	1525 x 6000	1525 x 6000	1525 x 6000

Thickness mm	Mass kg/m <sup>2</sup>	BISALLOY® Wear 500 steel	BISALLOY® Wear 600 steel
		Tensile strength: Typical - 1640 MPA	Tensile strength: Typical - 2050 MPA
8	62.78	2485 x 8000	
10	78.52	2485 x 8000	
10	78.52	2485 x 8000	
12	94.22	2485 x 8000	2485 x 8000
12	94.22	2485 x 8000	2485 x 8000
16	125.60	2485 x 8000	2485 x 8000
16	125.60	2485 x 8000	2485 x 8000
20	156.99	2485 x 8000	2485 x 8000
20	156.99	2485 x 8000	2485 x 8000
25	196.23	2485 x 8000	2485 x 8000
25	196.23	2485 x 8000	2485 x 8000
32	251.21	2485 x 8000	2485 x 8000
40	313.98	2485 x 8000	2485 x 8000
50	392.51	2485 x 8000	2485 x 6000
60	471.03	2485 x 6000	
70	549.47	1900 x 6000	
75	588.77	1900 x 6000	
80	627.98	1900 x 6000	
90	706.45	1525 x 6000	
100	785.03	1525 x 6000	



### Typical Uses:

- Demolition tools
- Ground engaging tools
- Earthmoving buckets
- Drag Line buckets
- Wear plates
- Chutes



## Structural Plate

BISALLOY®

Thickness mm	Mass kg/m <sup>2</sup>	BISALLOY® Structural 60 steel	BISALLOY® Structural 70 steel	BISALLOY® Structural 80 steel	BISALLOY® Structural 100 steel
		Tensile strength: Typical - 640 MPA	Tensile strength: Typical - 760 MPA	Tensile strength: Typical - 830 MPA	Tensile strength: Typical - 1000 MPA
5	39.26	1525 x 8000	1525 x 8000	1525 x 8000	1525 x 8000
6	47.08	1525 x 8000	1525 x 8000	1525 x 8000	1525 x 8000
6	47.08	2485 x 8000	2485 x 8000	2485 x 8000	2485 x 8000
8	62.78	2485 x 8000	2485 x 8000	2485 x 8000	2485 x 8000
10	78.52	2485 x 8000	2485 x 8000	2485 x 8000	2485 x 8000
10	78.52	3100 x 8000	3100 x 8000	3100 x 8000	3100 x 8000
12	94.22	2485 x 8000	2485 x 8000	2485 x 8000	2485 x 8000
12	94.22	3100 x 8000	3100 x 8000	3100 x 8000	3100 x 8000
16	125.60	2485 x 8000	2485 x 8000	2485 x 8000	2485 x 8000
16	125.60	3100 x 8000	3100 x 8000	3100 x 8000	3100 x 8000
20	156.99	2485 x 8000	2485 x 8000	2485 x 8000	2485 x 8000
20	156.99	3100 x 8000	3100 x 8000	3100 x 8000	3100 x 8000
25	196.23	2485 x 8000	2485 x 8000	2485 x 8000	2485 x 8000
25	196.23	3100 x 8000	3100 x 8000	3100 x 8000	3100 x 8000
32	251.21	2485 x 8000	2485 x 8000	2485 x 8000	
40	313.98	2485 x 8000	2485 x 8000	2485 x 8000	
50	392.51	2485 x 8000	2485 x 8000	2485 x 8000	
60	471.03	2485 x 6000	2485 x 6000	2485 x 6000	
70	549.47	1900 x 6000	1900 x 6000	1900 x 6000	
75	588.77	1900 x 6000	1900 x 6000	1900 x 6000	
80	627.98	1900 x 6000	1900 x 6000	1900 x 6000	
90	706.45	1600 x 6000	1600 x 6000	1600 x 6000	
100	785.03	1525 x 6000	1525 x 6000	1525 x 6000	

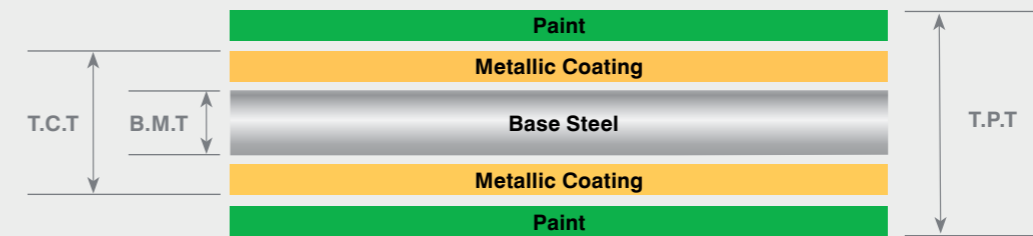


## Sheet and Coil

 InfraBuild

### Sheet and Coil Thickness Terminology

#### B.M.T. vs. T.C.T. vs. T.P.T.



When ordering through different suppliers or importing sheet & coil products, it is important to understand the difference between B.M.T., T.C.T. & T.P.T.

B.M.T. = Base Metal Thickness. This excludes any coatings applied to the base metal sheet.

T.C.T. = Total Coated Thickness. This measures both the base sheet and the coating. For example: Zinalume, Galvanised, Zincanneal and Electro-Galv.

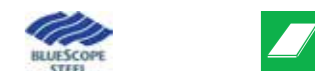
T.P.T. = Total Painted Thickness. This applies to painted sheets such as Colorbond and Signwhite.

This is only a factor in coated material and painted material. Manufactured painted products (ie. Colorbond) use a metallic-coated base metal.

Most suppliers quote base metal thickness, B.M.T. but it is important the user understands how different coatings will change the thickness.

### BRIGHTFORM® Sheet

Base Metal Thickness mm	Width mm	kg/m <sup>2</sup>
1.60	910	12.56
1.60	1210	12.56
1.60	1510	12.56
2.00	910	15.70
2.00	1210	15.70
2.00	1510	15.70
2.50	1210	19.63
2.95	1210	23.16
3.00	910	23.55
3.00	1210	23.55



#### Typical Uses:

- Tubing
- Shelving
- Simple pressings
- Hidden appliance panels

#### Features:

- Meets AS/NZS 1365: 1996 (Tolerances for flat rolled steel products)
- Pickled, skin-passed low carbon steel with a good surface, suitable for bending and moderate drawing and pressing.

**Note:** InfraBuild Steel Centre reserve the right to change specifications without notice. Not all products are available at all InfraBuild Steel Centre branches. InfraBuild Steel Centre also has access to a wide network of products not necessarily listed in this book. Please check with your local InfraBuild Steel Centre branch for product availability.

#### Typical Uses:

- Transport Equipment such as Low Loaders
- Structural Components for Mining Dump Trucks and other Mobile Equipment
- Mining Equipment Roll Over Protection Systems (ROPS)
- Underground Longwall Mining Supports
- Storage Tanks for water, oil and gas
- Columns for Low and High Rise Buildings
- Transfer Beams for Low and High Rise Buildings
- Road and Rail Bridge Beams and Columns
- Excavator Buckets
- Mobile Lifting Equipment
- Overhead Cranes
- Container Handling Equipment

**Note:** InfraBuild Steel Centre reserve the right to change specifications without notice. Not all products are available at all InfraBuild Steel Centre branches. InfraBuild Steel Centre also has access to a wide network of products not necessarily listed in this book. Please check with your local InfraBuild Steel Centre branch for product availability.

## Hot Rolled Sheet

Formable HA1S Steel

Base Metal Thickness mm	Width mm	kg/m <sup>2</sup>
1.50	1200	11.77
1.50	1210	11.77
1.60	910	12.56
1.60	1195	12.56
1.60	1200	12.56
1.60	1210	12.56
1.95	900	15.30
1.95	1195	15.30
1.95	1200	15.30
1.95	1210	15.30
2.40	1200	18.84
2.50	1195	19.63
2.50	1210	19.63
2.50	1495	19.63
2.50	1510	19.63
2.90	1210	22.77
2.90	1500	22.77
2.95	1200	23.16
2.95	1500	23.16
2.95	1800	23.16
3.00	895	23.55
3.00	1195	23.55
3.00	1210	23.55
3.00	1495	23.55
3.00	1510	23.55
3.00	1800	23.55



### Typical Uses:

- Shelving
- Light structural members
- Tanks

### Features:

- Meets AS/NZS 1594: 2002 (Flat rolled steel products) and AS/NZS 1365: 1996 (Tolerances for flat rolled steel products)
- Skin-passed, Hot-rolled low carbon steel suitable for simple forming, bending and welding operations.

## Hot Rolled, Pickled and Oiled Sheet

HA3 Steel

Base Metal Thickness mm	Width mm	kg/m <sup>2</sup>
1.60	1210	12.56
2.00	910	15.70
2.00	1210	15.70
2.50	1210	19.63
3.00	1210	23.55
4.00	1210	31.40
5.00	1210	39.25
6.00	1210	47.10



### Typical Uses:

- Agricultural machinery
- Automotive components
- Sealed unit housings
- Mower parts
- Brackets
- Furniture

### Features:

- Meets joint AS/NZS 1594: 2002 (Flat rolled steel products) and AS/NZS 1365: 1996 (Tolerances for flat rolled steel products)
- Hot rolled, formable steel suitable when pickled for medium drawing and heavy pressing operations.

**Note:** InfraBuild Steel Centre reserve the right to change specifications without notice. Not all products are available at all InfraBuild Steel Centre branches. InfraBuild Steel Centre also has access to a wide network of products not necessarily listed in this book. Please check with your local InfraBuild Steel Centre branch for product availability.

## Cold Rolled Sheet

CA3SN-G

Base Metal Thickness mm	Width mm	kg/m <sup>2</sup>
0.60	1220	4.71
0.80	1220	6.28
1.00	1220	7.85
1.20	1220	9.42
1.50	1220	11.78
1.60	1220	12.56
2.00	1220	15.70
2.50	1220	19.63
3.00	1220	23.55



### Typical Uses:

- Unexposed drawn parts for automotive and appliance end uses.

### Features:

- Meets AS/NZS 1595: 1998 (Cold-rolled, unalloyed, steel sheet and strip)
- Cold rolled, skin-passed deep drawing steel guaranteed non-ageing and free from stretcher stain with a general purpose surface.



## TRU-SPEC® Steel Plate

TRU-SPEC® steel is available in a range of structural grades, widths and lengths. Typically used in light and standard structural members, brake press forming applications, light poles, trailer and automotive components, general fabrications and galvanising applications.

The benefits of selecting TRU-SPEC® steel include:

- Guaranteed minimum strength levels
- Various levels of weldability, formability and ductility (Good and Excellent)
- Excellent for galvanising applications
- Enhanced weather resistance

BlueScope's stretch levelling process provides a consistently flat and 'memory-free' product every time particularly suited to the industry's growing preference towards laser cutting.



Call your local branch to discuss your requirements

**Note:** InfraBuild Steel Centre reserve the right to change specifications without notice. Not all products are available at all InfraBuild Steel Centre branches. InfraBuild Steel Centre also has access to a wide network of products not necessarily listed in this book. Please check with your local InfraBuild Steel Centre branch for product availability.

## GALVABOND® Sheet

G2 Z275

Base Metal Thickness mm	Width mm	kg/m <sup>2</sup>
0.40	915	3.43
0.40	1220	3.43
0.45	915	3.82
0.50	1220	4.22
0.55	915	4.61
0.55	1200	4.61
0.55	1220	4.61
0.55	1500	4.61
0.60	1525	5.00
0.70	1220	5.79
0.75	915	6.18
0.75	1200	6.18
0.75	1220	6.18
0.75	1500	6.18
0.80	1525	6.57
0.90	915	7.36
0.90	1220	7.36
0.95	1200	7.75
0.95	1220	7.75
0.95	1500	7.75
1.00	1220	8.14
1.00	1525	8.14
1.10	915	8.92
1.10	1220	8.92
1.15	915	9.32
1.15	1200	9.32
1.15	1220	9.32
1.15	1500	9.32
1.20	1525	9.71
1.50	915	12.07
1.50	1220	12.07
1.50	1500	12.07
1.55	1200	12.46
1.55	1220	12.46
1.55	1500	12.46
1.60	1525	12.85
1.90	1220	15.21
1.95	1200	15.59
1.95	1220	15.59
2.40	1220	19.13
2.45	1200	19.52
2.90	1220	23.06



### Typical Uses:

- Tube
- Air conditioning ducts,
- Air conditioning panels,
- Meter boxes
- Trailers
- Partitioning systems
- Cable trays
- Scaffolding planks
- Rendering mesh
- Feeder troughs

### Features:

- Meets AS/NZS 1365: 1996 (Tolerances for flat rolled steel products) and AS 1397: 2011 (Continuous hot-dip metallic coated steel sheet and strip - Coatings of zinc and zinc alloyed with aluminium and magnesium)
- Galvabond G2 steel is a hot-dipped zinc-coated commercial forming steel with a spangled surface, suitable for general manufacturing. Product is suitable for moderate drawing applications and is suitable for lockseaming up to 1.6mm thick.

## ZINCANNEAL® Sheet

G2S ZF100

Base Metal Thickness mm	Width mm	kg/m <sup>2</sup>
0.50	1220	4.06
0.55	1220	4.45
0.70	1220	5.63
0.75	1220	6.02
0.80	1200	6.41
0.90	915	7.19
0.90	1220	7.19
0.95	1200	7.59
0.95	1220	7.59
1.00	1200	7.98
1.10	1200	8.77
1.10	1220	8.77
1.15	1200	9.16
1.15	1220	9.16
1.20	1200	9.55
1.40	1220	11.12
1.50	915	11.91
1.50	1200	11.91
1.50	1220	11.91
1.55	1200	12.29
1.60	1200	12.69
1.90	1220	15.05
1.95	1200	15.44



**Note:** hot-dipped zinc/iron alloy-coated commercial forming steel with a skin-passed smooth surface suitable for direct-on painting. Some powdering of the coating may occur with severe deformation.

### Typical Uses:

- Exposed painted panels
- Non-exposed automotive panels
- Washing machines
- Acoustic ceiling tiles
- Door frames
- Switchboards
- Commercial fridges & freezers

### Features:

- Meets AS/NZS 1365: 1996 (Tolerances for flat rolled steel products) and AS 1397: 2011 (Continuous hot-dip metallic coated steel sheet and strip - Coatings of zinc and zinc alloyed with aluminium and magnesium)
- Zincanneal G2S is a matte manufacturing. Product is suitable for moderate drawing applications and is suitable for lockseaming up to 1.6mm thick.



## ZINCALUME® Sheet

G300 AZ150

Base Metal Thickness mm	Width mm	kg/m <sup>2</sup>
0.40	1200	3.31
0.55	1200	4.49
0.55	900	4.49
0.75	1200	6.06
1.00	900	8.02
1.00	1200	8.02
1.20	900	9.59
1.20	1200	9.59



Zincalume®

### Typical Uses:

- Rainwater goods
- Gutters
- Garden sheds

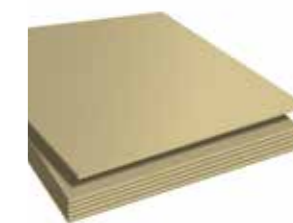
### Features:

- Meets AS/NZS 1365: 1996 (Tolerances for flat rolled steel products) and AS 1397: 2011 (Continuous hot-dip metallic coated steel sheet and strip - Coatings of zinc and zinc alloyed with aluminium and magnesium)
- Zincalume G300 steel is a hot-dipped zinc/aluminium alloy-coated structural steel with a regular spangle surface and a guaranteed minimum yield strength of 300MPa with good ductility. Suitable for roll forming to a minimum internal diameter of 1t.

## COLORBOND® Sheet

Grade 300

Size mm x mm x mm	Colours	Mass sheets/tonne
1200 x 2400 x 0.55		76
1200 x 3050 x 0.55	Manor Red® Jasper® Classic Cream™ Surfmist®	60
1200 x 3660 x 0.55	Paperbark® Dune® Shale Grey™ Windspray®	51
1200 x 2400 x 0.80	Woodland Grey® Pale Eucalypt® Wilderness®	63
1200 x 3000 x 0.80	Cottage Green® Monument™ Deep Ocean®	43
1200 x 2440 x 0.55	Appliance	76
1200 x 1800 x 0.55	Sign White	100



Colorbond®

### Typical Uses:

- Roofing & accessories
- Wall cladding
- Rainwater goods.

### Features:

- Colorbond prepainted steel is specifically designed by BlueScope Steel to provide a high durability, premier cladding and roofing material for general use.

**Note:** All colours listed are trademarks or registered trademarks of BlueScope Steel Ltd.

## Colorbond® Steel Standard Colour Range



The printed steel colours shown here have been reproduced to represent actual colours as accurately as possible. However we recommend checking your chosen colour against an actual product sample before purchasing as varying light conditions and print limitations affect colour tones.

**Note:** InfraBuild Steel Centre reserve the right to change specifications without notice. Not all products are available at all InfraBuild Steel Centre branches. InfraBuild Steel Centre also has access to a wide network of products not necessarily listed in this book. Please check with your local InfraBuild Steel Centre branch for product availability.

**Note:** InfraBuild Steel Centre reserve the right to change specifications without notice. Not all products are available at all InfraBuild Steel Centre branches. InfraBuild Steel Centre also has access to a wide network of products not necessarily listed in this book. Please check with your local InfraBuild Steel Centre branch for product availability.

# Sustainable Reinforcing Products



## ECO-REO™

InfraBuild Construction Solutions have introduced a range of ECO-REO™ products that offer builders and construction companies a range of REBAR, REOMESH® and Decking products that can provide a more sustainable use of materials in structures.

These products carry the additional branding of ECO-REO™, ECO-BAR™ or ECO-MESH™, as they can provide economic and environmental benefits compared to traditional reinforcing steels.

## Economical

The products can give more cost-efficient cover and economy in the number of sheets or bars, or the volumes of steel needed to efficiently reinforce the structure and meet the design intent of the project

## Environmental

InfraBuild's manufacturing of reinforcing steel utilises energy reducing polymer injection technology and recycled steel scrap content

InfraBuild has introduced a number of initiatives in recent years to assist with more sustainable use of materials.

- The majority of InfraBuild's reinforcing bar and reinforcing mesh has been made from recycled scrap for many years – InfraBuild announced on 10th June 2009 that the overall percentage of post-consumer recycled content (FY2008 average) was 89% for reinforcing bar and 66% for reinforcing mesh.
- InfraBuild announced on 1st May 2010 that InfraBuild's improved energy-efficient steel making process Polymer Injection Technology (PIT), used at the Rooty Hill, Sydney and Laverton, Melbourne electric arc furnaces has allowed InfraBuild to achieve an average 66% of reinforcing rod for mesh and 82% of reinforcing bar produced using this technology. In operating this technology as standard practice at InfraBuild's Rooty Hill and Laverton steel mills, there is potential to recycle more than 285,000 car tyres per annum.
- InfraBuild Construction Solutions is supporting customers to have projects gain up to two Green Building Council of Australia (GBCA) Green Star® steel credits (revised scheme effective 29th April 2010) with enhanced capability to provide off site optimal fabrication of reinforcing steel used in the building structure.

\* Supporting information on environmental claims for specific InfraBuild Construction Solutions ECO-REO™ products is given on opposite page and on the Technical Resources page of the InfraBuild Construction Solutions website: [www.infrabuild.com](http://www.infrabuild.com)



## ECO-MESH™ products include:

Customised special run ONEMESH® can minimise duplication of reinforcing steel and scrap losses that result from excess lapping and trimming of mesh sheets.

- Engineered and tailored mesh solutions can include variable wire spacing and wire diameters, and optimised mesh size (length and width).
- The new UTEMESH® and the large (up to 9 x 3 m) ONEMESH® MADE TO SIZE sheets give more cost efficient cover and economy in the number of sheets used on projects.



## ECO-BAR™ products include:

- 500PLUS® BAMTEC® – Engineered reinforcing bar carpets can allow the size and positioning of reinforcing steel to be optimised with variable diameters and spacings.
- 500PLUS® PREFAB – Prefabricated reinforcement is a more efficient process that can be designed to generate less waste and scrap on site.

# Green Star®

## Steel Credit Points

In 2017, the Green Building Council of Australia updated its Design and As Built Guidelines. The following lists the Steel Credit points available under the current guidelines v1.2:

### Life Cycle Impacts – Steel

Credit 19B.2 – Points available: 1

One point is available where project teams can demonstrate a 5% reduction in the mass of reinforcing steel used in the building when compared to standard practice

### Responsible Building Materials

Credit 20 – Points available: 1

One point is available where 95% of the building's steel (by mass) is sourced from a responsible steel maker and at least 60% (by mass) of all reinforcing bar and mesh is produced using an energy reducing process in its manufacture (measured by average mass by steel maker annually).

Additionally, InfraBuild Construction Solutions can assist in the achievement of additional points under the Sustainable Products Credit 21. Under path 21C InfraBuild Steel Reinforcing can provide an Environmental Product Declaration (EPD) – Product Specific.

InfraBuild Construction Solutions can help achieve the Green Star® steel credit requirements in the following ways:

- InfraBuild has a valid ISO 14001 Environmental Management System in place
- InfraBuild is a member of the World Steel Association's Climate Action Programme
- At least 60% of InfraBuild Construction Solutions steel is produced using Polymer Injection Technology (PIT) – an energy reducing process in manufacturing
- At least 95% of all InfraBuild Construction Solutions REBAR and REOMESH® meets or exceeds 500 MPa strength grade.
- A five per cent reduction in the mass of reinforcing steel used in the building when compared to standard practice.
- For more information on Green Star® related products visit the Green Star page of our website.

How InfraBuild Construction Solutions can assist in the reduction of steel mass:

- Engineered Reinforcing Bar Carpet (BAMTEC) – Reinforcing bar fabricated as a carpet off site for rolling out on site.
- Variable bar diameter, length & spacing to match original design intent
- Engineered/Customised 'mesh' (BARMAT) – tailored Class N, special size, engineered 'mesh', variable bar diameters and spacings
- Prefabricated Reinforcing Cages (PFX) – Prefabricated reinforcing cages for concrete elements such as walls, cores, columns, piles and slabs
- Couplers – InfraBuild Construction Solutions can provide the best coupler option to reduce lapping.

## Green Building Council Of Australia (GBCA)

- The Green Building Council of Australia is a national authority on sustainable buildings, communities and cities
- The GBCA administers the Green Star environmental rating system for commercial, residential, industrial, healthcare & education buildings
- In Australia, Green Star is a trusted mark of quality for the design, construction and operation of sustainable buildings, fit-outs and communities

Points	Rating	Outcome
44-59	Four Star	Australian Best Practice
60-74	Five Star	Australian Excellence
75 +	Six Star	World Leadership

- Green Star ratings are specified by the majority of CBD commercial multistorey developments and government projects.

## InfraBuild Construction Solutions & the Infrastructure Sustainability Rating Scheme

ISCA aims to improve the productivity & liveability of industry & communities through sustainability in infrastructure. ISCA developed and administers the Infrastructure Sustainability (IS) rating scheme.

IS is Australia's only comprehensive rating system for evaluating sustainability across design, construction and operation of infrastructure.

IS evaluates the sustainability (including environmental, social, economic and governance aspects) of infrastructure projects and assets.

There are a maximum of six points available for materials under the IS materials calculator.

Three points are available to reward design and practice that reduces life cycle impacts via reduced material use such as Prefabricated Reinforcing Elements (PFX), Engineered Reinforcing Bar Carpet (BAMTEC) or Engineered Mesh (BARMAT).

Three points are available to reward environmentally labelled products and supply chains.

One point is available via the use of products covered by our EPDs

Two additional points are available if >9% of materials/products (by value) have an ISCA approved environmental label, such as our EPD.

Score	Rating Level
25-49	Good
50-74	Excellent
75-100	Leading

# Reinforcing Bar and Mesh

## HANDIMESH®

Galvanized

Product Code	Std Unit	Mass (kg)	Longitudinal Wires (mm)	Cross Wires (mm)	Dimensions (m)
G112A	Sheet	23	97 x 2.5 @ 25	121 x 2.5 @ 25	3 x 2.4
G122A	Sheet	17	97 x 2.5 @ 25	61 x 2.5 @ 50	3 x 2.4
G113	Sheet	36	97 x 3.2 @ 25	121 x 3.2 @ 25	3 x 2.4
G123	Sheet	27	97 x 3.2 @ 25	61 x 3.2 @ 50	3 x 2.4
G234	Sheet	24	49 x 4 @ 50	41 x 4 @ 75	3 x 2.4
G235	Sheet	38	49 x 5 @ 50	41 x 5 @ 75	3 x 2.4
G224	Sheet	29	49 x 4 @ 50	61 x 4 @ 50	3 x 2.4
G225	Sheet	44	49 x 5 @ 50	61 x 5 @ 50	3 x 2.4
G445A	Sheet	23	25 x 5 @ 100	31 x 5 @ 100	3 x 2.4
G445A	Sheet	29	25 x 5.6 @ 100	31 x 5.6 @ 100	3 x 2.4
G465A	Sheet	24	25 x 5.6 @ 100	21 x 5.6 @ 150	3 x 2.4



### Typical Uses:

- General Purpose Applications
- DIY & Home Improvement

### Features:

- Also available in 'bright wire' on request.

## UTE MESH®

Ribbed Square Mesh

Product Code	Std Unit	Longitudinal Wires (mm)	Cross Wires (mm)	Mass (kg)	Dimensions (m)
SL62UTE	Sheet	8 x 6 @ 200	20 x 6 @ 200	18	4 x 2
SL72UTE	Sheet	8 x 6.75 @ 200	20 x 6.75 @ 200	23	4 x 2
SL82UTE	Sheet	8 x 7.6 @ 200	20 x 7.6 @ 200	30	4 x 2



### Typical Uses:

- Residential Construction
- Driveways and paths
- Shed slabs
- Smaller concreting jobs

### Features:

- AS/NZS 4671: 2001 - Steel reinforcing materials
- Versatile and lightweight
- Minimises wastage
- Can be handled by one person (using the correct handling techniques)
- Safe and legal to transport
- Easy to setup, place and tie

## ONEMESH®

Ribbed Rectangular Mesh

Product Code	Std Unit	Longitudinal Wires	Cross Wires	Mass (kg)	Dimensions (m)
RL718	Sheet	25 x 6.75 @ 100	30 x 7.6 @ 200	67	6 x 2.4
RL818	Sheet	25 x 7.6 @ 100	30 x 7.6 @ 200	79	6 x 2.4
RL918	Sheet	25 x 8.6 @ 100	30 x 7.6 @ 200	93	6 x 2.4
RL1018	Sheet	25 x 9.5 @ 100	30 x 7.6 @ 200	109	6 x 2.4
RL1118	Sheet	25 x 10.7 @ 100	30 x 7.6 @ 200	130	6 x 2.4
RL1218	Sheet	25 x 11.9 @ 100	30 x 7.6 @ 200	157	6 x 2.4



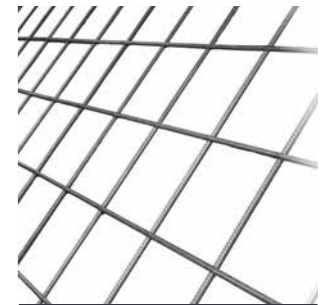
**Features:** AS/NZS 4671: 2001 - Steel reinforcing materials

**Note:** InfraBuild Steel Centre reserve the right to change specifications without notice. Not all products are available at all InfraBuild Steel Centre branches. InfraBuild Steel Centre also has access to a wide network of products not necessarily listed in this book. Please check with your local InfraBuild Steel Centre branch for product availability.

## ONEMESH®

Ribbed Square Mesh\*

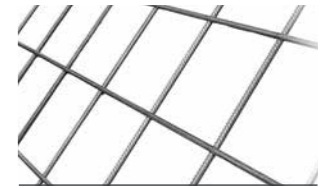
Product Code	Std Unit	Longitudinal Wires	Cross Wires	Mass (kg)	Dimensions (m)
SL62	Sheet	10 x 6 @ 200 +4 x 4.24 @ 100	30 x 6 @ 200	33	6 x 2.4
SL72	Sheet	10 x 6.75 @ 200 +4 x 4.75 @ 100	330 x 6.75 @ 200	42	6 x 2.4
SL81	Sheet	5 x 7.6 @ 100	60 x 7.6 @ 100	105	6 x 2.4
SL82	Sheet	10 x 7.6 @ 200 +4 x 5.35 @ 100	30 x 7.6 @ 200	53	6 x 2.4
SL92	Sheet	10 x 8.6 @ 200 +4 x 6 @ 100	30 x 8.6 @ 200	66	6 x 2.4
SL102	Sheet	10 x 9.5 @ 200 +4 x 6.75 @ 100	30 x 9.5 @ 200	80	6 x 2.4
SL53 (WA ONLY)	Sheet	6 x 4.75 @ 300	20 x 4.75 @ 300	14	6 x 2.3
SL63 (WA ONLY)	Sheet	4 x 4 @ 300	20 x 6 @ 300	21	6 x 2.3



**Features:** AS/NZS 4671: 2001 - Steel reinforcing materials

## Plain Square Mesh

Product Code	Std Unit	Longitudinal Wires	Cross Wires	Mass (kg)	Dimensions (m)
F41	Sheet	25 x 4 @ 100	61 x 4 @ 100	29	6 x 2.4
F51	Sheet	25 x 4.75 @ 100	61 x 4.75 @ 100	45	6 x 2.4



**Features:** AS/NZS 4671: 2001 - Steel reinforcing materials

## Trench Mesh

Product Code	Longitudinal Wires	Mass (kg)	Dimensions (m)
L8TM200	3 x 7.6 @ 100	6.8	6 x 0.2
L8TM300	4 x 7.6 @ 100	9.2	6 x 0.3
L8TM400	5 x 7.6 @ 100	11.6	6 x 0.4
L8TM500	6 x 7.6 @ 100	13.9	6 x 0.5
L11TM200	3 x 10.7 @ 100	13.3	6 x 0.2
L11TM300	4 x 10.7 @ 100	17.7	6 x 0.3
L11TM400	5 x 10.7 @ 100	22.3	6 x 0.4
L11TM500	6 x 10.7 @ 100	26.8	6 x 0.5
L12TM200	3 x 11.9 @ 100	15.8	6 x 0.2
L12TM300	4 x 11.9 @ 100	21.2	6 x 0.3
L12TM400	5 x 11.9 @ 100	26.5	6 x 0.4
L12TM500	6 x 11.9 @ 100	31.9	6 x 0.5
FTM16200	3 x 16 @ 100	30.6	6 x 0.2
FTM16300	4 x 16 @ 100	41.1	6 x 0.3



**Features:** AS/NZS 4671: 2001 - Steel reinforcing materials

**Note:** InfraBuild Steel Centre reserve the right to change specifications without notice. Not all products are available at all InfraBuild Steel Centre branches. InfraBuild Steel Centre also has access to a wide network of products not necessarily listed in this book. Please check with your local InfraBuild Steel Centre branch for product availability.



## Deformed Reinforcing Bar

### Class N

Product Code	Mass kg/m	Length (m/t)
N10S	0.64	1558
N12S	0.92	1083
N16S	1.64	609
N20S	2.56	389
N24S	3.69	271
N28S	5.03	199
N32S	6.57	152
N36S	8.31	120
N40S	10.26	97



**Note:** Calculated mass includes an allowance for rolling manufacturing variations as per our Terms and Conditions. N40S is available only on request – Lead time required. \*AS/NZS 4671 – 2001 : Steel reinforcing materials

## Reinforcing Accessories

Danley Tape			
Product Code	Type	Width (mm)	Length (mm)
STEGOST95	Seaming Tape	95	55
STEGOCT75	Claw Tape	75	55
STEGOTT51	Tack Tape	51	15



Plastic Mesh Chairs Clipfast		
Product Code	Height (mm)	No./Bag
PC20M	20	100
PC25M	25	
PC30M	30	
PC32M	32	
PC40M	40	
PC50M	50	
PC65M	65	
PC75M	75	



## Reinforcing Accessories

Plastic Bar Chairs		
Product Code	Height (mm)	No./Bag
COM2540	25 or 40	100
COM5065	50 or 65	
COM5065C	50 or 65	
COM7590	75 or 90	
COM7590C	75 or 90	
COM85100	85 or 100	
COM105110	105 or 110	
COM115120	115 or 120	
COM125130	125 or 130	
COM135140	135 or 140	
COM145150	145 or 150	
COM155160	155 or 160	
COM165170	165 or 170	



### Typical Uses:

- Slab on ground
- Polystyrene pod slab
- Swimming pools

### Features:

- Sets concrete cover
- Dual heights
- Clip-on mechanism for stability
- Integrated base to minimise puncture of polythene film

Tie Wire Roll		
Product Code	Wire Diameter (mm)	Length (m) Approximate
TW	1.6	60
TW5	1.6	320
TW10	1.6	650
TW315	3.15	16



Tie Wire Belt Pack Black		
Product Code	Wire Diameter (mm)	Length (m) Approximate
BP1.4	1.4	100
BP1.5	1.5	93



Tie Wire Belt Pack Galvanised		
Product Code	Wire Diameter (mm)	Length (m) Approximate
BP1.5GAL	1.5	93

**Note:** Large range of reinforcing accessories available - contact your local **InfraBuild** Steel Centre branch for assistance.

# Aluminium

## Aluminium Circular Tube

Size mm x mm	Die	Length mm	Alloy / Temper	Weight Kg
12 x 1.6	EX5004	6500	6060 T5	0.917
16 x 1.6	EX5006	6500	6060 T5	1.268
19 x 1.2	E40149	6500	6060 T5	1.177
20 x 1.6	EX5008	6500	6060 T5	1.575
25 x 1.6	EX5010	6500	6060 T5	1.908
25 x 3.0	EX5011	6500	6060 T5	3.64
32 x 1.6	EX5013	6500	6060 T5	2.685
32 x 3.0	EX5014	6500	6060 T5	4.428
38.09 x 3.25	EX2078	6000	6060 T5	5.76
38.1 x 3.25	E40016	6500	6060 T5	6.247
40 x 3.0	EX5017	6500	6060 T591	6.123
44.45 x 3.25	EX2101	6000	6060 T591	6.816
46 x 3.5	E40700	6000	6060 T591	7.572
48.41 x 4.47	EX2202	6000	6005A T5	9.996
50 x 1.6	EX5018	6500	6060 T5	4.271
50 x 2.0	EX5019	6500	6060 T591	5.291
50 x 3.0	EX5041	6500	6082 T5	7.176
50 x 4.0	EX5081	6500	6082 T5	9.366
50 x 6.0	E40545	6500	6060 T5	13.428
60 x 2.0	EX5021	6500	6063 T6	1.968
60 x 3.0	EX5022	6500	6060 T591	9.425
60 x 5.0	EX5071	6500	6060 T591	15.165
63.5 x 3.95	E40098	6000	6060 T4	6.384
76.19 x 4.75	EX2207	6500	6060 T1	17.256
76.19 x 6.35	EX2153	6500	6005 T5	24.453
76.2 x 3.2	EP13843	6500	6060 T4	12.678
76.2 x 3.8	EP8552	6500	6060 T5	15.171
80 x 3.0	EX5024	6500	6060 T5	12.734
88.9 x 5.33	EX2161	6500	6060 T5	22.668
100 x 3.0	EX5026	6500	6060 T5	16.042



Note: \* Sizes not available in all states

## Aluminium Rectangular Tube

Size mm x mm	Die	Length mm	Alloy / Temper	Weight Kg
38 x 25 x 1.5 RAD	E22174	6500	6106 T6	3.055
40 x 20 x 2.0 RAD	E22169	6500	6060 T5	3.881
40 x 25 x 2.5	EB1014	6500	6060 T5	5.265
40 x 25 x 3.0 RAD	E22122	6500	6060 T5	6.091
50 x 25 x 1.6	EQ3359	6500	6060 T5	4.03
50 x 25 x 2.5	EU7751	6500	6060 T5	6.143
50 x 25 x 3.0	EL8012	6000	6082 T5	6.708
50 x 25 x 3.0 RAD	EW5373	6500	6060 T5	7.131
50 x 40 x 3.0	EL8013	6500	6082 T5	8.847
60 x 40 x 3.0	EL8015	6500	6060 T5	9.9
65 x 16 x 1.2 RAD	EQ6823	6500	6060 T5	3.224
65 x 16 x 1.4 RAD	EQ6948	6500	6060 T5	3.744
75 x 50 x 3.0	EL8017	6500	6060 T5	12.532
76.2 x 25.4 x 2.4	EL4238	6500	6060 T5	8.158
76.2 x 50.8 x 1.6	EQ1915	6000	6060 T5	6.42
80 x 25 x 3.0	EL8018	6500	6060 T5	10.426
80 x 40 x 3.0	EL8019	6500	6060 T5	12.006
80 x 50 x 3.0	EL8020	6500	6060 T5	13.059
100 x 25 x 2.5	EL8021	6500	6060 T5	10.53
100 x 25.2 x 1.60	EQ2698	6500	6060 T5	6.851
100 x 40 x 3.0	EL8023	6500	6060 T5	14.112
100 x 50 x 1.6	EL8024	6500	6060 T5	8.242
100 x 50 x 1.6	EP8087	6500	6106 T6	8.249
100 x 50 x 3.0	EL8025	6500	6063 T5	6.476
100 x 50 x 3.0 RAD	E22177	6000	6082 T5	14.04
100 x 50 x 6 RAD	EB1592	6000	6082 T5	10.743
101.6 x 76.2 x 2.29 RAD	EG5074	8000	6060 T5	16.816
125 x 40 x 3.0	EL8028	6500	6060 T5	16.744
125 x 50 x 3.0	EL8030	6500	6060 T5	17.791
150 x 50 x 3.0	EL8033	6500	6060 T5	20.43
150 x 50 x 3.0 RAD	E22178	6500	6063 T5	20.475
200 x 50 x 3.0	EL8035	6500	6060 T5	7.906
250 x 50 x 3	E22173	6500	6106 T6	21.434



Note: \* Sizes not available in all states

## Aluminium Square Tube

Size mm x mm	Die	Length mm	Alloy / Temper	Weight Kg
19.05 x 1.2	EK1333	6500	6060 T5	1.502
20 x 1.6	E22101	6500	6060 T5	2.074
20 x 3.0	EL2299	6500	6060 T5	3.582
20 x 3.0 RAD	E51872	6500	6060 T591	3.439
25 x 1.5 RAD	EL8819	6500	6060 T5	2.477
25 x 1.6	E22103	6500	6060 T5	2.626
25 x 2.0 RAD	EN3238	6500	6060 T5	3.231
25 x 3.0	EL8003	6500	6060 T5	4.635
25 x 3.0 RAD	E22120	6500	6060 T5	4.498
25 x 3.0 RAD	EQ4067	6500	6060 T591	4.635
32 x 3.0	EL8005	6500	6060 T5	6.110
40 x 1.6	EL7938	6500	6060 T5	4.316
40 x 2 RAD	EQ6818	6500	6060 T5	5.207
40 x 2.0	EQ4000	6500	6060 T5	5.337
40 x 3.0	E22108	6500	6060 T5	7.787
40 x 3.0 RAD	E73599	6500	6060 T5	7.703
45 x 2.5	E22109	6500	6060 T5	7.462
50 x 1.6	EQ2259	6500	6060 T5	5.434
50 x 1.6 RAD	EQ6446	6600	6060 T6	5.254
50 x 2.0	EB1003	6500	6060 T5	6.741
50 x 2.5	EL8008	6500	6060 T5	8.340
50 x 3.0	EB1004	6500	6060 T5	9.900
50.8 x 3.18 RAD	EL6217	6500	6060 T5	10.478
65 x 2.5	EQ6382	6500	6060 T5	10.966
65 x 3.0 RAD	EU2011	6500	6060 T5	13.059
75 x 3.0 RAD	EQ6032	6500	6060 T5	14.755
76 x 6.35 RAD	EQ4171	6000	6082 T6	26.388
76.2 x 6.35 RAD	E11077	6500	6005A T5	28.704
80 x 6 RAD	E22129	6000	6085 T5	28.818



Note: \* Sizes not available in all states

## Aluminium Angles

A	B	T	Die	Alloy / Temper	Length mm	Mass/LEN
20	20	1.6	EK9107	6060 T5	6500	1.073
20	20	3.0	EK9108	6060 T5	6500	1.950
25	12	1.6 RAD	EK9109	6060 T5	6500	0.647
25	20	1.6	EK9111	6060 T5	6500	1.216
25	25	1.6	EK9216	6060 T5	6500	1.359
25	25	3.0	EK9217	6060 T5	6500	2.477
32	20	1.6	EK9114	6060 T5	6500	1.417
32	32	1.6	EB1126	6060 T5	6500	1.755
32	32	3.0	EK9118	6060 T5	6500	3.211
40	20	1.6	EL3257	6060 T5	6500	1.638
40	20	3.0	EK9121	6060 T5	6500	3.003
40	25	1.6	EL8124	6060 T5	6500	1.775
40	25	3.0	EK9122	6060 T5	6500	3.263
40	40	1.6	EK9123	6060 T5	6500	2.204
40	40	3.0	EK9124	6060 T5	6500	4.056
40	40	6.0	EK9126	6060 T5	6500	7.794
50	25	1.6	EK9129	6060 T5	6500	2.061
50	25	3.0	EK9130	6060 T5	6500	3.790
50	40	3.0	EK9131	6060 T5	6500	4.583
50	50	1.6	EL9417	6060 T5	6500	2.763
50	50	3.0	EK9132	6060 T5	6500	5.109
50	50	6.0	EK9134	6060 T5	6500	9.900
50	50	6.0 RAD	EN5408	6060 T5	6000	9.192
60	60	3.0	EK9135	6060 T5	6500	6.612
60	60	6.0	EK9136	6060 T5	6500	12.006
70	25	1.6	EN5714	6060 T5	6500	2.613
70	40	1.6	EN7492	6060 T5	6500	3.036
75	25	3.0	EL5923	6060 T5	6500	5.122
76.2	50.8	6.35 RAD	EG6410	6060 T5	6000	12.570
76.2	76.2	3.2	E06168	6060 T5	6500	8.314
80	20	3.0	EK9137	6060 T5	6500	5.103
80	50	2.5	E20559	6060 T5	6500	5.597
80	80	6.0	EK9138	6060 T5	6500	16.211
100	50	3.0	EP12372	6060 T5	6500	7.735
100	50	4.0	E20525	6060 T5	6500	10.251
100	50	6.0 RAD	EQ1558	6060 T5	6500	14.052
100	100	6.0	EP12627	6060 T5	6500	18.852
125	50	3.0	EK9139	6060 T5	6500	9.055
125	50	6.0 RAD	E20700	6060 T5	6500	16.482



Note: \* Sizes not available in all states

## Aluminium Channels

A	B	C	T1	T2	Die	Alloy / Temper	Length mm	Mass/LEN
10	10	10	1.6		EK9146	6060 T5	6500	0.754
12	12	12	1.6		EK9149	6060 T5	6500	0.917
12	20	20	2.5		EK9151	6060 T5	6500	2.061
16	16	16	1.6		EK9152	6060 T5	6500	1.261
20	20	20	1.6		EL1812	6060 T5	6500	1.593
20	20	20	3		EK9155	6060 T5	6500	2.841
22.32	20	20	1.2 RAD		EN4619	6060 T5	6500	1.286
25	12	12	3		EK9156	6060 T5	6500	2.262
25	25	25	1.6		EL5249	6060 T5	6500	2.015
25	25	25	3		EK9158	6060 T5	6500	3.627
25	40	40	3		EK9159	6060 T5	6500	5.213
32	16	16	1.6		E20784	6060 T5	6500	1.703
32	25	25	3		EK9160	6060 T5	6500	4.004
40	20	20	2		EQ1556	6060 T5	6500	2.665
40	20	20	3		EK9161	6060 T5	6500	3.894
40	25	25	3		EK9162	6060 T5	6500	4.42
40	40	40	3		E20790	6060 T5	6500	6
44.45	25.4	25.4	3.18		EG1021	6060 T5	6500	4.96
50	25	25	3		EK9215	6060 T5	6500	4.947
50	50	50	3		EK9163	6060 T5	6500	7.579
53	25	25	1.5		E20830	6060 T5	6500	2.43
54.2	20	20	1.6		E20821	6060 T5	6500	2.555
60	32	32	3		EK9164	6060 T5	6500	6.214
76.2	38.1	38.1	RAD		EG6435	6060 T5	6500	16.398
80	25	25	3		EK9165	6060 T5	6500	6.526
80	40	40	4		EK9166	6060 T5	6500	10.673
80	40	40	4 RAD		E20921	6060 T5	6500	9.882
80	40	40	6 RAD		E20922	6060 T5	6500	14.496
100	25	25	3		EK9168	6060 T5	6500	7.579
100	50	50	3		EB1208	6060 T5	6500	10.212
100	50	50	5 RAD		EN3527	6060 T5	6500	19.455
100	50	50	6 RAD	9	EN3528	6060 T5	6500	26.593
100	50	50	7.56 RAD		EP13664	6060 T5	6500	#N/A
101.6	50.8	50.8	7.9 RAD	6.3	EG6434	6060 T5	6500	22.452



Note: \* Sizes not available in all states

## Aluminium Tees

Size mm x mm	Die	Length mm	Alloy / Temper	Mass/LEN
20 x 20 x 1.6	EK9140	4000	6060 T5	0.664
25 x 25 x 1.6	EK9142	6500	6060 T5	1.359
25 x 25 x 3.0	EK9143	6500	6060 T5	2.477
35 x 50 x 3.0 RAD	EU9284	6000	6082 T6	4.05
40 x 40 x 1.6	EL5287	6500	6060 T5	2.204
40 x 40 x 3.0	EK9144	6500	6060 T5	4.056
40 x 40 x 4.0 RAD	EU9187	6000	6082 T6	5.022
45 x 100 RAD	EU7074	9650	6082 T6	21.548
50 x 156 x 6.0 RAD	EU8408	9650	6082 T6	31.286
50 x 25 x 1.6	E20212	6500	6060 T5	2.061
50 x 50 x 4.0 RAD	E20219	6000	6082 T6	6.324
50 x 50 x 6.0 RAD	E20205	6000	6082 T6	9.312
50 x 60 RAD	EU6368	6000	6082 T6	8.472
50 x 70 RAD	EN5331	9650	6082 T6	17.061
80 x 139 RAD	EU7545	6000	6082 T6	21.672
80 x 163 RAD	EN5218	6000	6082 T6	23.622



Note: \* Sizes not available in all states

## Aluminium Round Bar

Diameter	Die	Length mm	Alloy / Temper	Mass/LEN
10	EX6000	4000	6060 T5	0.848
12	EX6001	4000	6060 T5	1.220
16	EX6002	4000	6060 T5	2.172
20	EX6003	4000	6060 T5	3.392
25.4	EX3000	4000	6060 T5	5.476
33	EX6005	4000	6061 T6	9.236
39	EX6006	4000	6061 T6	12.908



Note: \* Sizes not available in all states



## Aluminium Flat Bars

Size mm x mm	Die	Length mm	Alloy / Temper	Mass/LEN
20 x 3	EX4004	4000	6060 T5	0.648
20 x 6	EX4020	4000	6060 T5	1.296
25 x 3	EX4005	4000	6060 T5	0.812
25 x 6	EX4021	4000	6060 T5	1.620
32 x 3	EX4006	4000	6060 T5	1.036
32 x 6	EX4022	4000	6060 T5	2.072
32 x 10	EX4030	4000	6060 T5	3.456
40 x 3	EX4007	4000	6060 T5	1.296
40 x 6	EX4023	4000	6060 T5	2.592
40 x 10	EX4031	4000	6060 T5	4.320
50 x 3	EX4008	4000	6060 T5	1.620
50 x 6	EAL4035	4000	6060 T5	3.240
50 x 6 RAD	EX4024	4000	6060 T5	3.232
50 x 10	EX4032	4000	6060 T5	5.400
50 x 12	EX4039	4000	6060 T5	6.480
60 x 3	EX4009	4000	6060 T5	1.944
60 x 6	EX4069	4000	6060 T5	3.888
60 x 10	EX4070	4000	6060 T5	6.480
60 x 12	EX4040	4000	6060 T5	7.776
80 x 3	EX4010	4000	6060 T5	2.592
80 x 6	EX4025	4000	6060 T5	5.184
80 x 10	EX4033	4000	6060 T5	8.640
80 x 12	EX4041	4000	6060 T5	10.368
80 x 16	EX4044	4000	6060 T5	13.824
100 x 1.5 RAD	E34113	3750	6060 T5	1.515
100 x 3	EX4011	4000	6060 T5	3.240
100 x 6	EX4026	4000	6060 T5	6.480
100 x 10	EX4034	4000	6060 T5	10.800
100 x 12	EX4042	4000	6060 T5	12.960
160 x 6	EX4027	4000	6060 T5	10.360
160 x 10	EX4035	4000	6060 T5	17.280



Note: \* Sizes not available in all states

## Aluminium Square Bars

Size mm x mm	Die	Length mm	Alloy / Temper	Mass/LEN
6 x 6	EX6500	4000	6060 T5	0.388
10 x 10	EX6501	4000	6059 T5	1.080
12 x 12	EX6502	4000	6060 T5	1.556
16 x 16	EX6503	4000	6060 T5	2.764
20 x 20	EX6504	4000	6060 T5	4.320
25 x 25	EX6505	4000	6060 T5	6.752
40 x 40	EX6506	4000	6106 T6	17.024



Note: \* Sizes not available in all states

## Aluminium Sheet and Plate

Sheet 5005 H34

Thickness mm	Width mm	Length mm	kg/sheet
0.60	1200	2400	4.664
0.80	1200	2400	6.219
1.00	1200	2400	7.776
1.20	1200	2400	9.328
1.60	1200	2400	12.438
2.00	1200	2400	15.547
2.00	1200	3000	19.434
2.00	1500	3600	29.155
2.50	1200	2400	19.434
3.00	1200	2400	23.321
3.00	1200	3000	29.155
3.00	1500	3000	36.315
3.00	1500	3600	43.726
4.00	1200	2400	31.094
5.00	1200	2400	38.868
6.00	1200	2400	46.641



## Aluminium Sheet and Plate

PVC Coated 5005 H34

Thickness mm	Width mm	Length mm	kg/sheet
1.20	1200	2400	9.328
1.60	1200	2400	12.438
2.00	1200	2400	15.547
2.50	1200	2400	19.434
3.00	1200	2400	23.321



## Aluminium Sheet and Plate

Grade	Thickness mm	Width mm	Length mm	kg/sheet
5052 H32	1.60	1200	2400	12.438
	2.00	1200	2400	15.438
	2.50	1200	2400	19.434
	3.00	1200	2400	23.321
5251 H34	2.50	1500	3000	30.152



# Stainless Steel

## Stainless Steel Angles

Grades 304, 316

Size mm x mm	Mass kg/m
25 x 25 x 3	1.13
25 x 25 x 5	1.77
25 x 25 x 6	2.06
30 x 30 x 3	1.36
30 x 30 x 5	2.17
30 x 30 x 6	2.53
30 x 30 x 5	1.02
30 x 30 x 6	1.21
40 x 40 x 3	1.85
40 x 40 x 5	2.98
40 x 40 x 6	3.49
50 x 50 x 3	2.36
50 x 50 x 5	3.79
50 x 50 x 6	4.46



## Stainless Steel Sheet and Coil

Grade	Austenitic	
	Thickness Range mm	Width mm
316	0.55 to 6.00	914, 1219, 1500, 1525
304	0.55 to 6.00	914, 1219, 1500, 1525

Grade	Ferritic	
	Thickness Range mm	Width mm
430	0.55 to 0.9	914, 1219



**Note:** Range of Stainless Steel includes:  
Grades: 304, 304L, 316, 316L  
Finishes: 2B, No. 4 Polished, bright annealed

**Note:** InfraBuild Steel Centre reserve the right to change specifications without notice. Not all products are available at all InfraBuild Steel Centre branches. InfraBuild Steel Centre also has access to a wide network of products not necessarily listed in this book. Please check with your local InfraBuild Steel Centre branch for product availability.

## Aluminium Tread Plate

3003 H22 - Propellor Bright

Thickness mm	Width mm	Length mm	kg/sheet
1.60	1219	2438	12.88
2.00	1219	2438	17.106
3.00	1219	2438	27.19
4.76	1219	2438	45.014



## Aluminium Tread Plate

5052 H114 - 5BAR

Thickness mm	Width mm	Length mm	kg/sheet
1.60	1200	2400	13.248
2.00	1200	2400	16.992
2.00	1500	3000	26.550
2.50	1200	2400	21.312
2.50	1500	3000	33.300
3.00	1200	2400	25.344
3.00	1200	6000	63.360
3.00	1500	3000	39.600
3.00	1500	6000	80.325
4.00	1200	2400	33.120
4.00	1200	6000	82.368
4.00	1500	6000	102.960
5.00	1200	2400	39.744
5.00	1200	3660	62.015
5.00	1200	6000	101.660
5.00	1500	6000	127.080
6.00	1200	2400	47.808
6.00	1500	3000	74.700



**Note:** InfraBuild Steel Centre reserve the right to change specifications without notice. Not all products are available at all InfraBuild Steel Centre branches. InfraBuild Steel Centre also has access to a wide network of products not necessarily listed in this book. Please check with your local InfraBuild Steel Centre branch for product availability.

## Stainless Steel Flat Bars

Grades 304, 316

Size mm x mm	Mass kg/m
12 x 3	0.29
12 x 6	0.58
20 x 3	0.49
20 x 5	0.81
20 x 6	0.98
25 x 3	0.61
25 x 5	1.02
25 x 6	1.21
25 x 10	2.04
25 x 12	2.45
32 x 3	0.77
32 x 5	1.30
32 x 6	1.57
32 x 10	2.62
40 x 3	0.98
40 x 5	1.61
40 x 6	1.96
40 x 10	3.27
40 x 12	3.92
50 x 3	1.21
50 x 5	2.04
50 x 6	2.45
50 x 10	4.08
50 x 12	4.90
65 x 5	2.61
65 x 6	3.18
65 x 10	5.31
75 x 5	3.06
75 x 6	3.68
75 x 10	6.04
75 x 12	7.25
100 x 6	4.91
100 x 10	8.18



**Note:** Range of Stainless Steel includes:  
Grades: 304, 304L, 316, 316L

## Stainless Steel Round Bars

Grades 304, 316 & 430

Size mm x mm	Mass kg/m
3.18	0.06
4.76	0.14
6.35	0.25
7.94	0.39
9.00	0.50
10.0	0.62
12.0	0.89
12.7	0.99
15.9	1.55
16.0	1.58
19.1	2.24
20.0	2.47
22.2	3.04
24.0	3.55
25.4	3.98
30.0	5.55
31.8	6.21
32.0	6.31
35.0	7.55
38.1	8.94
40.0	9.86
44.5	12.18
50.8	15.90
54.0	17.95
57.2	20.13
63.5	24.85
66.7	27.39
69.9	30.07
76.2	35.76
82.6	42.00
88.9	48.69
101.6	63.62
127	99.40



**Note:** InfraBuild Steel Centre reserve the right to change specifications without notice. Not all products are available at all InfraBuild Steel Centre branches. InfraBuild Steel Centre also has access to a wide network of products not necessarily listed in this book. Please check with your local InfraBuild Steel Centre branch for product availability.

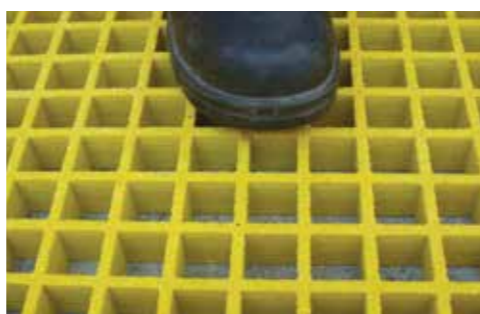
# Walkway Systems

InfraBuild Steel Centre have partnered with leading suppliers Webforge and Nepean Building & Infrastructure to supply walkway systems as either fully prefabricated custom panels or as standard components. Grating, handrail and components are available in mild steel, aluminium, stainless steel, or corrosion/chemical resistant fibreglass reinforced plastic (FRP). Stanchion and handrail products are available in a range of mounting configurations to suit mounting for: platform, stairway, side mount, side offset, conveyor, cored, weld-on, or bolt-on style.



## FRP Grating

FRP grating is composed of 65% resin and 35% continuous glass fibres, available in stock panels 3660 x 1220 with 6 mm load bar configurations in a range of depths and sizes in green or yellow and a grey "Mini-mesh". The high resin content makes FRP resistant to a wide range of corrosive chemicals, gases and fumes. Other properties that make FRP a valuable choice in dangerous work areas are its fire retardant, non-sparking, and non-conductive properties. FRP is simple to cut and assemble on site with standard tools. Ancillary items recommended for site assembly are stainless steel mounting brackets, and sealing kits to seal cut edges.



## Drainage Grates

InfraBuild Steel Centre offers a range of standard (stock) and custom made mild steel drainage and trench grates that comply with AS3996.

### Grates are rated to:

Class A: Extra light duty – suit pedestrian/cyclists

Class B: Light duty – suit light vehicles/tractors, livestock

Class C: Medium duty – suit malls and pedestrian areas open to slow moving commercial vehicles

Class D: Heavy Duty – suit roads and areas open to commercial vehicles



## Composite Flooring

Composite flooring comprises of floorplate welded to the top of grating (shown right), and is available in mild steel or aluminium. Another option is a composite comprised of grating with a light gauge mesh welded to the underside to prevent tools or small objects from falling through the grating.



## Expanded Walkway Mesh

Made from 5mm mild steel, walkway mesh is a strong, cost effective solution for high impact and load applications. 3000mm long panels are available in stock widths of 1200/900/750/600mm. 45mm SWM x 135mm LWM and 30mm SWM x 75mm LWM configurations available.



## Stair Stringers

Weldlok® stair stringers are available configured for 2 to 17 treads. Treads and mounting brackets can be purchased separately. Advantages of pre-assembled stringers

- Convenient and easy to install
- Hot-dip galvanised to AS/NZS 4680
- Standard with 175mm rise and 250mm going at an angle of 35 degrees
- Designed to take a maximum tread width of 1000mm

### How to calculate the number of treads required

1. Measure the vertical height from the ground to the finished floor level of the landing.
2. Divide the height by the rise (175mm)
3. Round the result to the nearest whole number, then reduce by 1 for the top landing.

i.e. Height = 1000 divided by 175 = 5.71 rounded to 6 and reduced by 1 = 5 step stringers required.

Weldlok® Product Code	Number of Steps	Vertical Height (mm)	RHS Thickness (mm)	Weight per Pair (kg)
G1TS	1	350	3.0	10
G2TS	2	525	3.0	15
G3TS	3	700	3.0	19
G4TS	4	875	3.0	25
G5TS	5	1050	3.0	30
G6TS	6	1225	4.0	35
G7TS	7	1400	4.0	41
G8TS	8	1575	4.0	46
G9TS	9	1750	4.0	52
G10TS	10	1925	4.0	58
G11TS	11	2100	4.0	61
G12TS	12	2275	4.0	66
G13TS	13	2450	5.0	107
G14TS	14	2625	5.0	116
G15TS	15	2800	5.0	124
G16TS	16	2975	5.0	132
G17TS	17	3150	5.0	140



### Notes:

\* Treads must be >50mm thick

\* Treads must not be greater than 1000mm wide

\* When installing the stringers, in order to comply with the Building Code of Australia, the "rise" of each tread must be consistent, including the first step and the last step up to the landing platform. This may require the ground level to be built up.

NEPEAN Building & Infrastructure


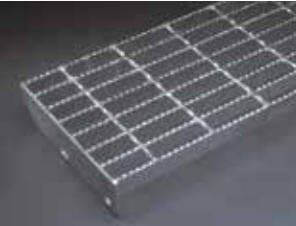
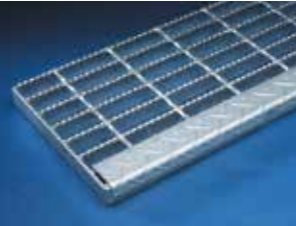




Australia's leading integrated manufacturers of metal products [www.nepean.com](http://www.nepean.com)

Weldlok® Mastermesh® Galintel® Galserv®



# Stair Treads

Stair treads are made to measure from mild steel, aluminium, stainless steel, or FRP with options of non slip nosing. Suitable for either bolt-on or weld-on attachment. Weldok® stair treads can be supplied in Series 30, 40 & 60 forgebar grating. Treads may be selected using the Recommended Width and Recommended Max. Length tables. Non-standard treads can also be supplied on request. Please consult our sales department.

Type T1	Type T2	Type T3	Type T4
Welded fixing, no nosing	Mild steel bolted fixing	Mild steel with floor plate nosing, welded fixing	Bolted fixing, floor plate nosing
			
Type T5	Type T6	FRP	
Aluminium with abrasive nosing, welded fixing	Bolted fixing, Holed End Plates, abrasive Nosing	FRP tread with abrasive nosing, bolted fixing	
			

## Ordering Stair Treads

1. Select from the tread types shown (T1 to T6).
2. Refer to Recommended Max. Lengths table. Select a Load Bar Size and Series with a maximum length equal to or greater than the required tread length. For example, if the required tread length is 1100mm, the Series 40 grating with 32 x 5 load bars (A40-325) would be appropriate.
3. From the Recommended Widths table, choose a width that corresponds to the tread type and Series selected. For example, based on the Series 40 grating and a T1 tread, the tread width would be either 125, 165, 205, 245, 285 or 325mm. Example would be: Tread Type T1 - 1100 x 285 from A40 - 325

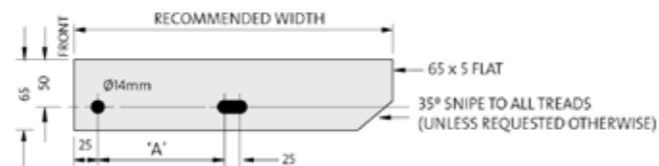
Recommended Maximum Lengths (mm)			
Load Bar Size	25 x 5	32 x 5	40 x 5
Series 30	900	1300	1600
Series 40	750	1200	1500
Series 60	500	800	1300

Recommended Widths (mm)							
Tread Types T1 to T6							
Series 30	125	155	185	215	245	275	305
Series 40	125	165		205	245	285	325
Series 60	125		185		245		305

Bolted Connections							
End Plate Hole Centres (mm)							
'A'	45	75	75	100	100	100	100

Standard Stocked Treads (serrated):  
 600 x 285mm  
 750 x 285mm  
 900 x 245mm  
 900 x 275mm

### Standard End Plates for Bolted Threads



Notes:  
 Note: Special End Plate Hole Centres available on request.

Note: InfraBuild Steel Centre reserve the right to change specifications without notice. Not all products are available at all InfraBuild Steel Centre branches. InfraBuild Steel Centre also has access to a wide network of products not necessarily listed in this book. Please check with your local InfraBuild Steel Centre branch for product availability.

# Non-Weld Handrail Systems

Top Rail							
							
<b>101 - Short Tee</b>	<b>104 - Long Tee</b>	<b>128 - Corner (Top Rail)</b>	<b>125 - 90 degree elbow</b>				
Suit Pipe	Product code	Suit Pipe	Product code	Suit Pipe	Product code	Suit Pipe	Product code
32NB	101-C42	32NB	104-C42	32NB	128-C42	32NB	125-C42
40NB	101-D48	40NB	104-D48	40NB	128-D48	40NB	125-D48
48NB/32NB	101-D48/C42	40NB	104-D48	40NB	128-D48	48NB/32NB	125-D48/C42
Middle Rail							
							
<b>116 - Corner (Middle Rail)</b>	<b>119 - Cross (Middle Rail)</b>	<b>150 - Internal Expanding Joint</b>					
Suit Pipe	Product code	Suit Pipe	Product code	Suit Pipe	Product code	Suit Pipe	Product code
32NB	116-C42	32NB	119-C42	32NB	150-C42		
40NB	116-D48	40NB	119-D48	40NB	150-D48		
Elbows & Knuckles							
							
<b>124 - Variable Elbow 15 - 60 degrees</b>	<b>166 - Adjustable knuckle</b>	<b>173 - Single Swivel Combination</b>					
Suit Pipe	Product code	Suit Pipe	Product code	Suit Pipe	Product code	Suit Pipe	Product code
32NB	124-C42	32NB	166-C42	32NB	173-C42		
40NB	124-D48	40NB	166-D48	40NB	173-D48		

Note: InfraBuild Steel Centre reserve the right to change specifications without notice. Not all products are available at all InfraBuild Steel Centre branches. InfraBuild Steel Centre also has access to a wide network of products not necessarily listed in this book. Please check with your local InfraBuild Steel Centre branch for product availability.



## Non-Weld Handrail Systems



### Bases



**232 - Heavy Duty Railing Base Flange**



**242 - Base Flange with Toe Board Fixing**



**246 - Heavy Duty Side Palm**

Suit Pipe	Product code	Suit Pipe	Product code	Suit Pipe	Product code
32NB	232-C42	32NB	242-C42	32NB	246-C42
40NB	232-D48	40NB	242-D48	40NB	246-D48

### Access Systems



**745 - DDA Assist Expanding Wall Bracket**



**746 - DDA Assist Saddle Wall Bracket**



**766 - Adjustable elbow**

Suit Pipe	Product code	Suit Pipe	Product code	Suit Pipe	Product code
32NB	745-C42	32NB	746-C42	32NB	766-C42
*Will also fit 40NB		*Will also fit 40NB		*Will also fit 40NB	

**Note:** In order to meet the requirements of accessibility standards, the range forms flush joints with size 32NB tube.



## Build a better floor with a DuraGal Flooring System™



Whether you're building a deck or a whole house, the DuraGal Flooring System™ is assembled on-site and requires no welding. Simple screwed connections make construction fast and easy.

DuraGal Flooring System™ meets the industry durability guideline by including fully-galvanised Australian-made tubular sections, which are corrosion resistant and won't rot, warp or twist.

The strength of steel also allows for greater spans and reduces the impact of site works and sediment control issues.

**Note:** InfraBuild Steel Centre reserve the right to change specifications without notice. Not all products are available at all InfraBuild Steel Centre branches. InfraBuild Steel Centre also has access to a wide network of products not necessarily listed in this book. Please check with your local InfraBuild Steel Centre branch for product availability.



# DuraGal Flooring System™

## DuraGal Flooring System™

DuraGal Flooring System™ is a fully-engineered steel flooring system developed to provide a fire-and-termites-resistant, economical and easy-to-install alternative to conventional timber bearers and joists.

### Easy to Install

DuraGal Flooring System™ uses high strength C450L0 grade galvanized DuraGalPLUS™ ZB135/135 Hollow Sections. The sections are strong and lightweight making them easy to handle on site. DuraGalPLUS™ ZB135/135 is easy to cut and drill, and best of all the system has been designed so that it simply screws together on site using a screw gun fitted with a hex head bit. The DuraGal Flooring System™ features a range of speciality galvanized fittings designed to allow you to get on with the job easily and quickly. Fast and accurate levelling of the floor using the adjustable piers during and after construction is a great feature.

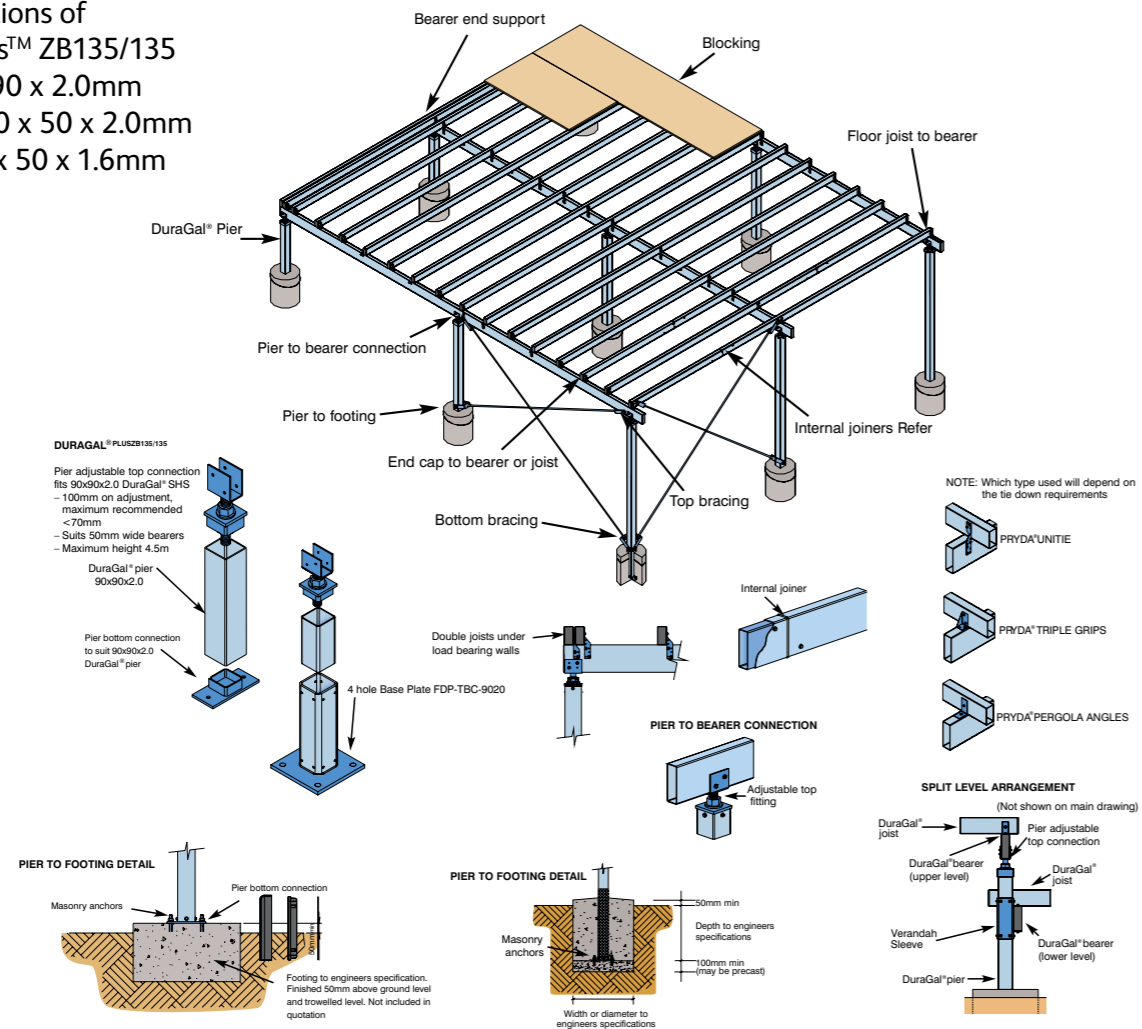
Sheet flooring can still be attached in the traditional way using building adhesive and gun-nailing. Most reputable nail tool suppliers have hardened tipped nails to suit common nail guns to attach sheet flooring to steel joists up to and including 2mm thick.

### Spans

Joists are typically 100 x 50 x 1.6mm with continuous spans of 2800mm and bearers are typically 150 x 50 x 2.0mm with continuous spans of 3000mm. Other sizes may be specified with differing spans subject to the floor layout and site conditions. Your DuraGal Flooring System™ distributor will be able to nominate the most economical sizes and layout upon receipt of the house plans.

**Note:** DuraGal Flooring System™ requires independent engineering certification to determine compliance of site specific conditions with statutory requirements.

Typical sections of  
DuraGalPlus™ ZB135/135  
Piers: 90 x 90 x 2.0mm  
Bearers: 150 x 50 x 2.0mm  
Joists: 100 x 50 x 1.6mm



**DuraGal Plus™**

**DuraGal**  
Flooring System



# DuraGal® Mezzanine Flooring System



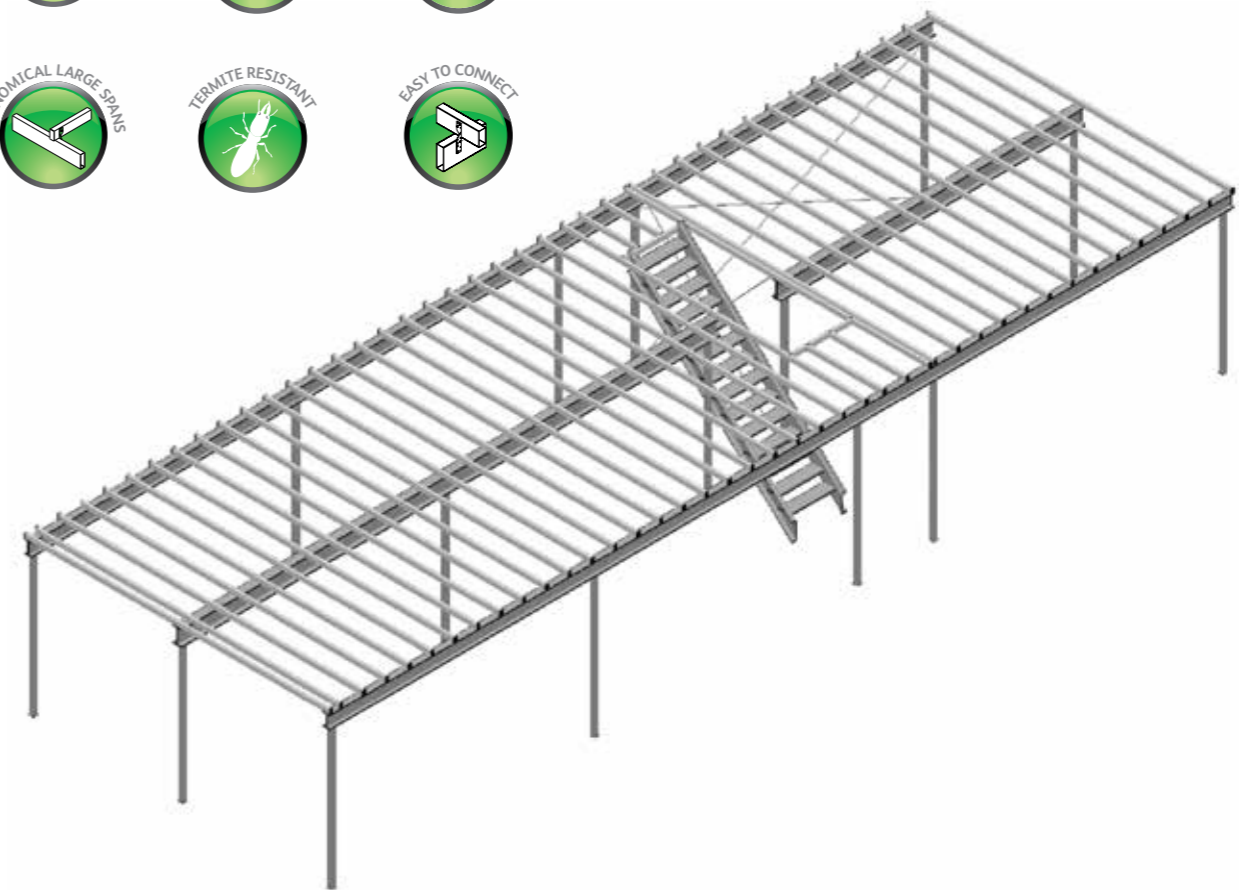
## DuraGal® Mezzanine Flooring System

- A user friendly system that can save you time in construction, reducing the disruption to your business.
- On-site assembly without welding, only normal tools such as cut-off saws and Tek screw guns are required.
- High tensile strength and light weight sections allowing for a wider spacing of the bearers and, with the larger span distances between columns, under-floor areas are still usable with large open areas for uses such as workshops, office accommodation and storage areas etc.
- All connections are either screwed or nailed.
- Effectively increases storage capabilities
- Long lasting and virtually maintenance free
- Minimum fabrication required
- Minimum welding
- Low cost

## DuraGal® Mezzanine Flooring System offers:

- A high strength, lightweight steel flooring system which can be used to increase the floor area of existing or new buildings.
- The system can also allow for the height of the columns to be adjusted, therefore compensating for any variations in the slab, with adjustment being available before or after installation.
- Columns, bearers and joists are all galvanized to be practically maintenance free.

DuraGal® Mezzanine Flooring System uses high strength C450L0 grade galvanized DuraGalPLUS™ ZB135/135. The sections are strong and lightweight making them easy and safe to handle on site. The DuraGal® Mezzanine Flooring System is designed using a range of speciality fittings to allow safe and easy construction.



**DuraGal Plus™**

**DuraGal**  
Flooring System



# Building Products

## Lintels - Traditional

Quick Selection and Safe Load Tables

Category				
A	B	C	D	E
Description				
Non-load bearing brick veneer with separate structural timber frame	Cavity wall equally supported on both skins. (Supported roof span <8m)	Lightweight sheet roof and ceiling supported on single skin. (Supported roof span <8m)	Lightweight timber truss, tiled roof and sheet ceiling supported on single skin. (Supported roof span <8m)	Load-bearing internal brickwork under upper storeys. (Supported floor span <8m)

Traditional Angle 100 x 75 x 10 - 13kg/m	Category	Clear Span Length (mm)							
		900	1200	1500	1800	2100	2400	2700	3000
	A								
	B								
	C								
	D								
	E								

\* Follow the colour code from the loading categories above. Add end bearing of 100-150mm to both ends of span

Traditional Angle 150 x 100 x 10 - 19kg/m	Category	Clear Span Length (mm)						
		2100	2400	2700	3000	3300	3600	4000
	A							
	B							
	C							
	D							
	E							

\* Follow the colour code from the loading categories above. Add end bearing of 100-150mm to both ends of span

Note: InfraBuild Steel Centre reserve the right to change specifications without notice. Not all products are available at all InfraBuild Steel Centre branches. InfraBuild Steel Centre also has access to a wide network of products not necessarily listed in this book. Please check with your local InfraBuild Steel Centre branch for product availability.

## Lintels - Traditional

Quick Selection and Safe Load Tables

Traditional Angle 100 x 75 x 10 - 13kg/m	Category	Clear Span Length (mm)							
		900	1200	1500	1800	2100	2400	2700	3000
	Span (mm)	900	1200	1500	1800	2100	2400	2700	3000
	Bar Length (mm)	1200	1500	1800	2100	2400	2700	3000	3000
	Total Load (kg)	1345	1005	805	670	575	500	415	415
	UDL (kg/m)	1494	840	538	373	274	210	154	154
	Point Load (kg)	670	500	400	335	285	250	220	220

All tables are intended as a guide. Qualified expert advice should be sought in deciding the suitability of any structural product for a construction application. UDL = Uniform Distributed Load

Traditional Angle 150 x 100 x 10 - 19kg/m	Category	Clear Span Length (mm)						
		1800	2100	2400	2700	3000	3300	3600
	Span (mm)	1800	2100	2400	2700	3000	3300	3600
	Bar Length (mm)	2100	2400	2700	3000	3300	3600	4000
	Total Load (kg)	3205	2355	1800	1425	1150	950	800
	UDL (kg/m)	1781	1121	751	527	384	289	222
	Point Load (kg)	1690	1325	1010	800	645	535	450

All tables are intended as a guide. Qualified expert advice should be sought in deciding the suitability of any structural product for a construction application. UDL = Uniform Distributed Load

• Loads limited by short term deflection of 1/600 span  
 Note: \*Loads given are total (allowable) loads including lintel and brickwork.

Note: InfraBuild Steel Centre reserve the right to change specifications without notice. Not all products are available at all InfraBuild Steel Centre branches. InfraBuild Steel Centre also has access to a wide network of products not necessarily listed in this book. Please check with your local InfraBuild Steel Centre branch for product availability.



# Lintels - Flat and Angle

## Quick Selection and Safe Load Tables

Category				
A	B	C	D	E
Description				
Non-load bearing brick veneer with separate structural timber frame	Cavity wall equally supported on both skins. (Supported roof span <8m)	Lightweight sheet roof and ceiling supported on single skin. (Supported roof span <8m)	Lightweight timber truss, tiled roof and sheet ceiling supported on single skin. (Supported roof span <8m)	Load-bearing internal brickwork under upper storeys. (Supported floor span <8m)

Flat Bar 85 x 7 - 5kg/m	Category	Clear Span Length (mm)											
		600	700	800	900	1200	1500	1800	2100	2400	2700	3000	3600
	A												
	B												
	C												
	D												
	E												

Angle Bar 100 x 100 - 9kg/m	Category	Clear Span Length (mm)											
		600	700	800	900	1200	1500	1800	2100	2400	2700	3000	3600
	A												
	B												
	C												
	D												
	E												

Angle Bar 150 x 100 - 12kg/m	Category	Clear Span Length (mm)											
		600	700	800	900	1200	1500	1800	2100	2400	2700	3000	3600
	A												
	B												
	C												
	D												
	E												

Note: InfraBuild Steel Centre reserve the right to change specifications without notice. Not all products are available at all InfraBuild Steel Centre branches. InfraBuild Steel Centre also has access to a wide network of products not necessarily listed in this book. Please check with your local InfraBuild Steel Centre branch for product availability.

# Lintels - Flat and Angle

## Safe Load Tables

Flat Bar 85 x 7 - 5kg/m	Category	Clear Span Length (mm)				
		600	700	800	900	1000
	Span (mm)	600	700	800	900	1000
	Bar Length (mm)	800	900	1000	1100	1200
	Total Load (kg)	43.7	32.1	24.5	19.4	15.7
	UDL (kg/m)	72.8	45.9	30.6	21.6	15.7
	Total Load (kg)	72.8	53.4	40.9	32.3	26.2
UDL (kg/m)	121.3	76.3	51.1	35.9	26.2	

Angle Bar 100 x 100 - 9kg/m	Category	Clear Span Length (mm)							
		1000	1200	1500	1800	2100	2400	2700	3000
	Span (mm)	1000	1200	1500	1800	2100	2400	2700	3000
	Bar Length (mm)	1200	1500	1800	2100	2400	2700	3000*	3300*
	Total Load (kg)	2083	1736	1265	878	645	486	384	311
	UDL (kg/m)	2083	1447	843	488	307	203	142	104
	Total Load (kg)	2083	1736	1389	1157	992	811	641	519
UDL (kg/m)	2083	1447	926	643	472	338	237	173	

Angle Bar 150 x 100 - 12kg/m	Category	Clear Span Length (mm)						
		1500	1800	2100	2400	2700	3000	3600
	Span (mm)	1500	1800	2100	2400	2700	3000	3600
	Bar Length (mm)	1800	2100	2400	2700	3000	3300	4000
	Total Load (kg)	3024	2520	1993	1526	1206	976	676
	UDL (kg/m)	2016	1400	949	636	447	325	188
	Total Load (kg)	3024	2520	2100	1890	1680	1512	1312
UDL (kg/m)	2016	1400	1000	788	622	504	364	

• Loads not limited by deflection  
 • Loads limited by short term deflection of 1/600 span  
 • Loads limited by short term deflection of 1/360 span

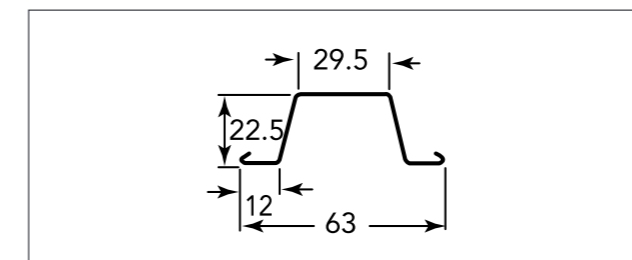
Note: InfraBuild Steel Centre reserve the right to change specifications without notice. Not all products are available at all InfraBuild Steel Centre branches. InfraBuild Steel Centre also has access to a wide network of products not necessarily listed in this book. Please check with your local InfraBuild Steel Centre branch for product availability.

## Battens, Roofing and Walling

### LYSAGHT TOPSPAN®

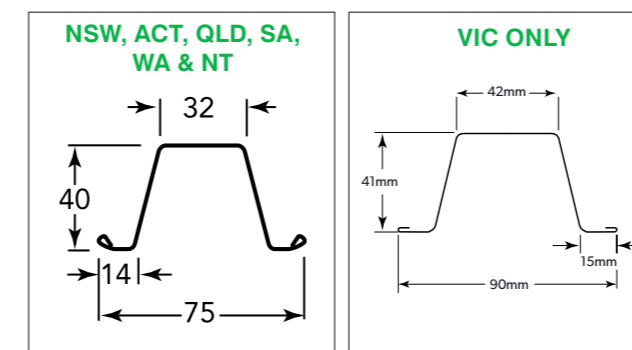
LYSAGHT TOPSPAN® has been used in the building and construction industry for many decades in commercial and residential applications. Applications include sheds, garages, carports, and as ceiling and roof battens as well as for handyman projects

#### TOPSPAN® 22



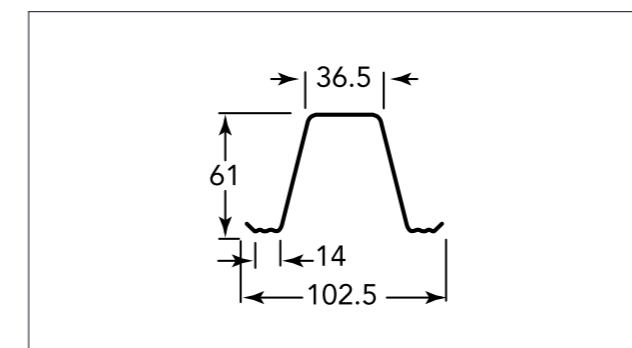
BMT mm	MASS kg/m	Yield Strength Mpa	Coating Mass g/m <sup>2</sup>
0.42	0.35	550	150
Description			
22mm deep batten ideal for use as a ceiling batten for internal fixing of ceiling or wall liner. (MPa minimum yield stress, 150g/m <sup>2</sup> minimum coating mass).			

#### TOPSPAN® 40



BMT mm	MASS kg/m	Yield Strength Mpa	Coating Mass g/m <sup>2</sup>
0.48* (VIC ONLY)	0.6	550	150
0.55	0.67	550	150
0.75	0.91	550	150
Description			
Ideal for use as a roofing batten for residential steel or tiled roof, TOPSPAN® 40 is a 40mm deep batten offering a high strength yet light weight solution that won't shrink, warp or twist.			

#### TOPSPAN® 61



BMT mm	MASS kg/m	Yield Strength Mpa	Coating Mass g/m <sup>2</sup>
0.60	0.95	550	125
0.75	1.18	550	125
1.00	1.56	550	125
1.20	1.87	550	125
Description			
TOPSPAN® 61 is 61mm deep batten ideal for small framed shed and awning applications with a convenient size between that of a small purlin and large batten.			

## C-Purlins

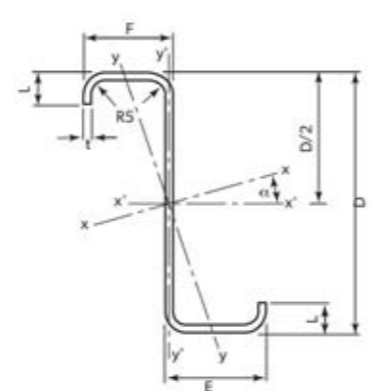
Designation	Size mm x mm x mm	Mass kg/m
C 10010	102 x 51 x 1.0	1.78
C 10012	102 x 51 x 1.2	2.10
C 10015	102 x 51 x 1.5	2.62
C 10019	102 x 51 x 1.9	3.29
C 15012	152 x 64 x 1.2	2.89
C 15015	152 x 64 x 1.5	3.59
C 15019	152 x 64 x 1.9	4.51
C 15024	152 x 76 x 2.4	5.7
C 20015	203 x 76 x 1.5	4.49
C 20019	203 x 76 x 1.9	5.74
C 20024	203 x 76 x 2.4	7.24
C 25019	254 x 76 x 1.9	6.50
C 25024	254 x 76 x 2.4	8.16
C 30024	300 x 96 x 2.4	10.09
C 30030	300 x 96 x 3.0	12.6
C 35030	350 x 125 x 3.0	15.1



**Note:** Purlins are made from high tensile steel to be fastened rather than welded. Purlins can be ordered pre-cut to length and with pre-punched holes or slots.

## Z-Purlins

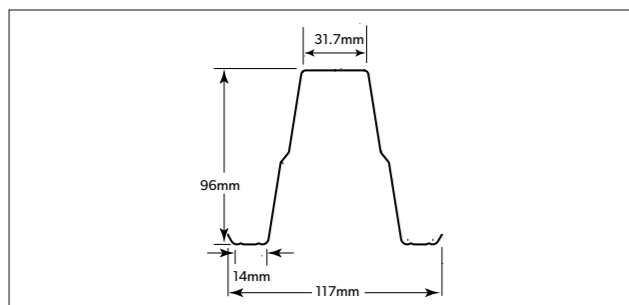
Designation	Web D (mm)	Thickness t (mm)	Flange E (mm)	Flange F (mm)	Flange L (mm)	Mass kg/m
Z 10010	102	1.0	53	49	12.5	1.78
Z 10012	102	1.2	53	49	12.5	2.10
Z 10015	102	1.5	53	49	13.5	2.62
Z 10019	102	1.9	53	49	14.5	3.29
Z 15012	152	1.2	66	61	15.5	2.89
Z 15015	152	1.5	66	61	16.5	3.59
Z 15019	152	1.9	66	61	17.5	4.51
Z 15024	152	2.4	70	60	19.5	5.7
Z 20015	203	1.5	77	74	15.0	4.49
Z 20019	203	1.9	80	74	18.5	5.74
Z 20024	203	2.4	82	73	21.5	7.24
Z 25019	254	2.4	79	74	18.0	6.50
Z 25024	254	2.4	79	73	21.0	8.16
Z 30024	300	2.4	105	93	27.0	10.09
Z 30030	300	3.0	107	93	31.0	12.6
Z 35030	350	3.0	134	121	30.0	15.1



**Note:** Purlins are made from high tensile steel to be fastened rather than welded. Purlins can be ordered pre-cut to length and with pre-punched holes or slots.

## Battens, Roofing and Walling

### TOPSPAN® 96\* (QLD ONLY)

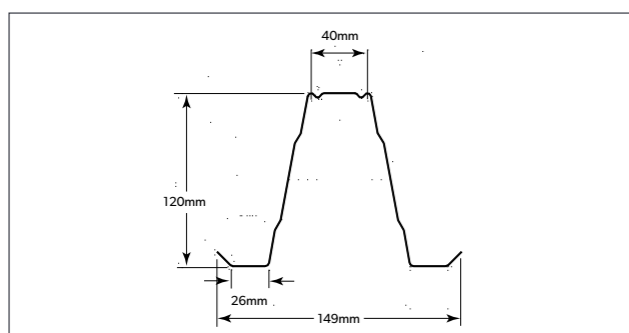


BMT mm	MASS kg/m	Yield Strength Mpa	Coating Mass g/m <sup>2</sup>
0.75	1.68	550	125
1.00	2.22	550	125
1.20	2.66	550	125

#### Description

TOPSPAN® 96, available only in Queensland, is a 96mm deep roof purlin or wall girt ideal for sheds, garages, carports and awnings.

### TOPSPAN® 120



BMT mm	MASS kg/m	Yield Strength Mpa	Coating Mass g/m <sup>2</sup>
0.70	2.07	550	125
0.90	2.64	550	125
1.00	2.93	550	125

#### Description

A 120mm deep roof purlin or wall girt, TOPSPAN® 120 is commonly used in rural, residential and small commercial applications for sheds, garages and awnings where longer spans or strength is required.

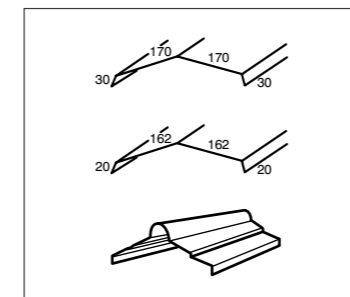


At **InfraBuild Steel Centre** our complete one-stop-shop saves you time and reduces complexity and risk on your next building project. We take your plans and provide a full-service solution: take offs, estimation, technical support, scheduling and delivery for all steel requirements. Our quality manufactured products give you confidence, because they meet relevant Australian Standards and Building Codes. Enquire with us today about how we can help you deliver your next building project on time and on budget.

Call your local branch to discuss your requirements

## Flashings

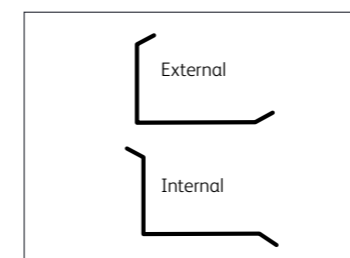
### Ridge Cap



Description	Stock lengths mm
Ridge Capping RC1	1800 2400
Ridge Capping RC2	1800 2400
Ridge Roll Top RC3	1800 2400

**Note:** Stock lengths and custom cut. Available in Zinalume® and Colorbond®. For fasteners refer to page 115.

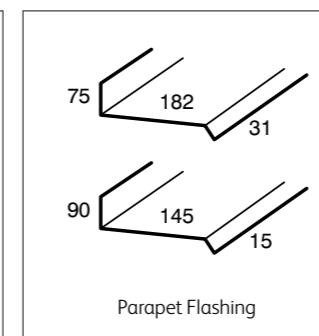
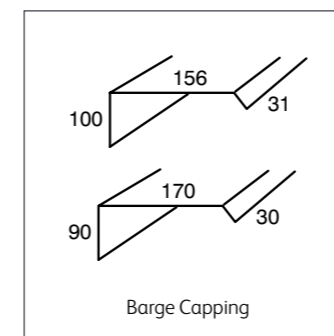
### Barge Mould/Corner Mould



Size mm	Stock lengths mm
External – 75 x 75	1800 & 2400
External – 100 x 100	1800 & 2400
Internal – 150 x 100	1800 & 2400
Internal – 150 x 150	1800 & 2400

**Note:** Stock lengths and custom cut. Available in Zinalume® and Colorbond®. For fasteners refer to page 115.

### Barge Capping/Parapet



Description	Profile	Stock lengths mm
Barge Capping	Spandek Hi-Ten	1800 & 2400
	Custom Orb	1800 & 2400
	Trimdek Hi-Ten	1800 & 2400
Parapet Flashing	Spandek Hi-Ten	1800 & 2400
	Custom Orb	1800 & 2400
	Trimdek Hi-Ten	1800 & 2400

**Note:** Stock lengths and custom cut. Available in Zinalume® and Colorbond®. For fasteners refer to page 115.

# COLORBOND® Steel Colour Range

## Standard Colour Range

Colorbond®



Basalt® Classic Cream™ Cottage Green® Cove™ Deep Ocean® Dune® Evening Haze®



Gully™ Ironstone® Jasper® Mangrove® Manor Red® Monument® Night Sky®



Pale Eucalypt® Paperbark® Shale Grey™ Surfmist® Terrain® Wallaby® Windspray® Woodland Grey®

## Matt Colour Range



Basalt® Dune® Monument® Shale Grey™ Surfmist®

The printed steel colours shown here have been reproduced to represent actual colours as accurately as possible. However we recommend checking your chosen colour against an actual product sample before purchasing as varying light conditions and print limitations affect colour tones.

**Note:** InfraBuild Steel Centre reserve the right to change specifications without notice. Not all products are available at all InfraBuild Steel Centre branches. InfraBuild Steel Centre also has access to a wide network of products not necessarily listed in this book. Please check with your local InfraBuild Steel Centre branch for product availability.

# Rainwater Products



Product Image	Description	Dimensions mm
	Stramit® Quad Gutter	Various sizes
	Stramit® Half Round Gutter	Various sizes
	Stramit® M Pattern Gutter	85 x 123 x 140 front (QLD, NSW only)
	Stramit® Fascia Gutter	25 x 90 x 127, 140 front (VIC, TAS only)
	Stramit® Downpipe Rectangular	100 x 50, 100 x 75, 100 x 100, 100 x 150
	Stramit® Downpipe Round	Diameter: 50, 65, 75, 90, 100
	Stramit® Flashings	Various sizes

**Note:** For fasteners refer to page 115.

® Registered trademark of Stramit Corporation Pty Limited trading as Stramit Building Products ABN 57 005 010 195. A Member of the Fletcher Building Group. COLORBOND® and ™ are trade marks of BlueScope Steel Limited.

**Note:** InfraBuild Steel Centre reserve the right to change specifications without notice. Not all products are available at all InfraBuild Steel Centre branches. InfraBuild Steel Centre also has access to a wide network of products not necessarily listed in this book. Please check with your local InfraBuild Steel Centre branch for product availability.



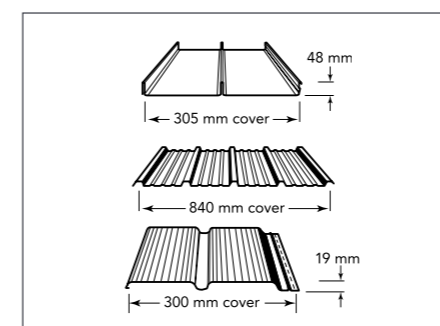
## Structural Products



Product Image	Description	Dimensions mm
	Stramit Condeck HP®	0.75 & 1.00 BMT, 300mm Cover 55mm Rib Height
	Stramit® Edgeforma	Various sizes
	Stramit PrimeForm™	0.60 & 0.75 BMT (VIC only)
	Stramit® C & Z Purlins	Various sizes
	Stramit® Top Hats	64 x 34 x 20 x 6, 96 x 34 x 20 x 6, 120 x 42 x 27 x 10 (A x B x C x D)
	Stramit® Flooring	Various sizes
	Stramit® Roof Batten Stramit® Ceiling Batten	40 x 40 x 15 x 6.0m & 7.5m Length 6.1m
	Brackets & Angle Connectors	Various sizes

® Registered trademark of Stramit Corporation Pty Limited trading as Stramit Building Products ABN 57 005 010 195. A Member of the Fletcher Building Group. COLORBOND® and ™ are trade marks of BlueScope Steel Limited.

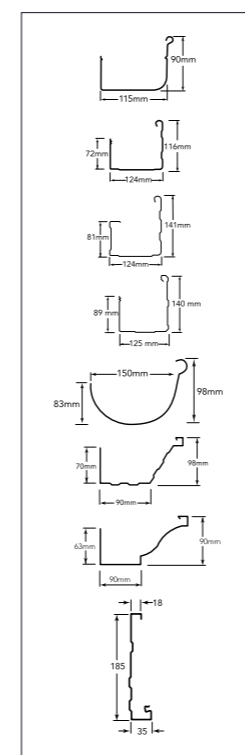
## Roofing and Walling



Description	Application	BMT Base Metal Thickness mm	Width of Coverage mm
Longline 305	Roofing	0.7	305
Multiclad	Walling	0.42	840
Easyclad	Walling	0.42	300

Note: For fasteners refer to page 115.

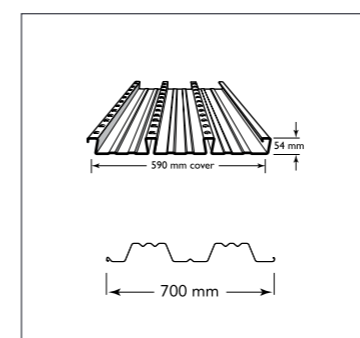
## Gutters and Fascia



Product	Availability	Dimensions (mm)		
		A	B	C
Quad 115 Hi Front	QLD, SA, NSW, VIC, TAS	62	90	115
Trimline	QLD, Nth NSW, VIC, TAS	72	116	124
Sheerline	except QLD	81	141	124
Emline	QLD	89	125	140
Half Round	except NT		150	
Ranceline	WA	70	90	98
Colonial	WA	63	90	90
Novaline	QLD, SA, NSW, VIC, TAS, WA	18	185	35

Note: For fasteners refer to page 115.

## Structural Decking



Description	BMT Base Metal Thickness mm	Mass kg/m <sup>2</sup>	Width of Coverage mm
Bondek Plus	0.6	8.52	600
Bondek Plus	0.75	10.5	600
Bondek Plus	1	13.79	600

Note: For fasteners refer to page 115.

# Piping Systems

## Steel Pipes to American Standards

Nominal Size		Outside Diameter	Nominal Wall Thicknesses & Weights for Welded & Seamless Steel Pipe ASME B36.10								KEY: Dimensions - mm (Black) Weight - kg/m (Green)					
Dn	Nps	Mm	Std	Extra Strong	XX Strong	Sched. 10	Sched. 20	Sched. 30	Sched. 40	Sched. 60	Sched. 80	Sched. 100	Sched. 120	Sched. 140	Sched. 160	
6	1/8	10.3	1.73 0.37	2.41 0.47	-	-	-	-	1/3 0.37	-	2.41 0.47	-	-	-	-	
8	1/4	13.7	2.24 0.63	3.02 0.80	-	-	-	-	2.24 0.63	-	3.02 0.80	-	-	-	-	
10	3/8	17.1	2.31 0.84	3.2 1.10	-	-	-	-	2.31 0.84	-	3.2 1.10	-	-	-	-	
15	1/2	21.3	2.77 1.27	3.73 1.62	7.47 2.55	-	-	-	2.77 1.27	-	3.73 1.62	-	-	-	4.78 1.95	
20	3/4	26.7	2.87 1.69	3.91 2.20	7.82 3.64	-	-	-	2.87 1.69	-	3.91 2.20	-	-	-	5.56 2.90	
25	1	33.4	3.38 2.50	4.55 3.24	9.09 5.45	-	-	-	3.38 2.50	-	4.55 3.24	-	-	-	6.35 4.24	
32	1-1/4	42.2	3.56 3.39	4.85 4.47	9.7 7.77	-	-	-	3.56 3.39	-	4.85 4.47	-	-	-	6.35 5.61	
40	1-1/2	48.3	3.68 4.05	5.08 5.41	10.15 9.56	-	-	-	3.68 4.05	-	5.08 5.41	-	-	-	7.14 7.25	
50	2	60.3	3.91 5.44	5.54 7.48	11.07 13.44	-	-	-	3.91 5.44	-	5.54 7.48	-	-	-	8.74 11.11	
65	2-1/2	73.0	5.16 8.63	7.01 11.41	14.02 20.39	-	-	-	5.16 8.63	-	7.01 11.41	-	-	-	9.53 14.92	
80	3	88.9	5.49 11.29	7.62 15.27	15.24 27.67	-	-	-	5.49 11.29	-	7.62 15.27	-	-	-	11.13 21.35	
90	3-1/2	101.6	5.74 13.57	8.08 18.63	-	-	-	-	5.74 13.57	-	8.08 18.63	-	-	-	-	
100	4	114.3	6.02 16.07	8.56 22.32	17.12 41.03	-	-	-	6.02 16.07	-	8.56 22.32	-	11.13 28.32	-	13.49 33.54	
125	5	141.3	6.55 21.77	9.53 30.91	19.05 57.43	-	-	-	6.55 21.77	-	9.53 30.91	-	12.7 40.28	-	15.88 49.11	
150	6	168.3	7.11 28.26	10.97 42.56	21.95 79.22	-	-	-	7.11 28.26	-	10.97 42.56	-	14.27 54.20	-	18.26 67.56	
200	8	219.1	8.18 45.55	12.7 64.64	22.23 107.92	-	6.35 33.31	7.04 36.81	8.18 42.55	10.31 53.08	12.7 64.65	15.09 75.92	18.26 90.44	20.62 100.92	23.01 111.27	
250	10	273.1	9.27 60.31	12.7 81.55	25.4 155.15	-	6.35 41.77	7.8 51.03	9.27 60.31	XS 81.55	15.09 96.01	18.26 114.75	21.44 133.06	28.58 155.15	28.58 172.33	
300	12	323.9	9.53 73.88	12.7 186.97	25.4 186.97	-	6.35 49.73	8.38 65.20	10.31 79.73	14.27 108.96	17.48 132.08	21.44 159.91	23.83 186.97	27.79 208.14	31.75 238.76	
350	14	355.6	9.53 93.27	12.7 107.10	-	6.35 54.99	7.92 67.90	Std. W.T. 81.33	11.13 94.55	15.09 126.70	19.05 158.10	23.83 194.96	27.79 224.65	31.75 253.56	35.71 281.70	
400	16	406.4	9.53 93.27	12.7 123.30	-	6.35 62.64	7.92 77.83	Std. W.T. 93.27	11.13 123.50	15.09 160.12	19.05 203.53	23.83 245.56	27.79 286.64	31.75 333.19	35.71 365.35	
450	18	457	9.53 105.16	12.7 139.15	-	6.35 70.57	7.92 87.71	11.13 122.38	14.27 155.80	19.05 205.74	23.83 254.55	27.79 309.62	31.75 363.56	35.71 408.26	35.71 365.35	
500	20	508	9.53 117.15	12.7 155.12	-	6.35 78.55	7.92 117.15	Std. W.T. 155.12	15.09 183.42	19.05 247.83	23.83 311.17	27.79 381.53	31.75 441.49	35.71 508.11	35.71 564.81	
550	22	559	9.53 129.13	12.7 171.09	-	6.35 86.54	7.92 129.13	Std. W.T. 171.09	15.09 206.2	19.05 294.25	23.83 373.83	27.79 451.42	31.75 527.05	35.71 600.63	35.71 672.26	
600	24	610	9.53 141.12	12.7 187.06	-	6.35 94.53	7.92 141.12	Std. W.T. 209.64	15.09 255.41	19.05 355.26	23.83 442.08	27.79 547.71	31.75 640.03	35.71 720.15	35.71 808.22	
650	26	660	9.53 152.87	12.7 202.72	-	6.35 127.36	7.92 202.72	XS 202.72	15.88 -	19.05 -	23.83 -	27.79 -	31.75 -	35.71 -	35.71 -	
700	28	711	9.53 164.85	12.7 218.69	-	6.35 137.31	7.92 218.69	XS 271.21	15.88 271.21	19.05 -	23.83 -	27.79 -	31.75 -	35.71 -	35.71 -	
750	30	762	9.53 176.84	12.7 234.67	-	6.35 147.28	7.92 234.67	XS 292.18	15.88 292.18	19.05 -	23.83 -	27.79 -	31.75 -	35.71 -	35.71 -	
800	32	813	9.53 188.82	12.7 250.64	-	6.35 157.24	7.92 250.64	XS 312.15	15.88 312.15	19.05 342.91	23.83 342.91	27.79 -	31.75 -	35.71 -	35.71 -	
850	34	864	9.53 200.31	12.7 266.61	-	6.35 167.20	7.92 266.61	XS 332.12	15.88 332.12	19.05 364.90	23.83 364.90	27.79 -	31.75 -	35.71 -	35.71 -	
900	36	914	9.53 212.56	12.7 282.27	-	6.35 176.96	7.92 282.27	XS 351.7	15.88 351.7	19.05 420.42	23.83 -	27.79 -	31.75 -	35.71 -	35.71 -	
1050	42	1067	9.53 248.52	12.7 330.19	-	6.35 -	7.92 -	XS -	15.88 -	19.05 -	23.83 -	27.79 -	31.75 -	35.71 -	35.71 -	

### Formula to attain approximate mass in kilograms per metre (kg/m) for Steel Round Pipe and Tubing

$$m = (D - t) \times t \times 0.02466$$

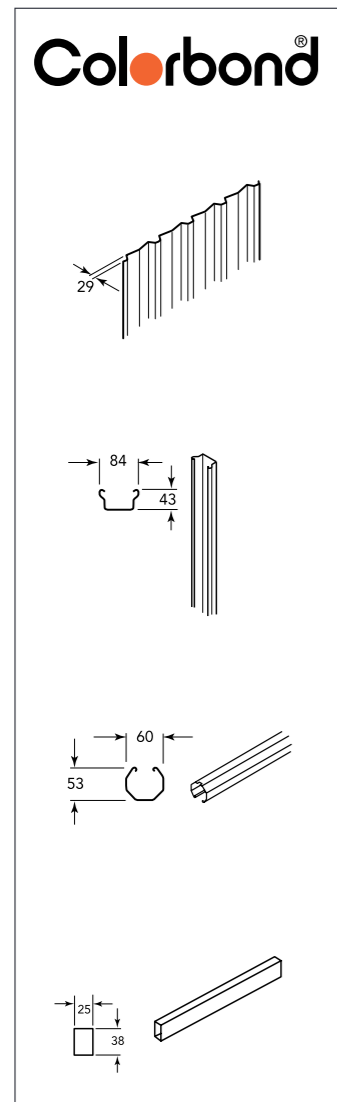
Where: m = mass to the nearest 0.01 kg/m  
 D = Outside Diameter in millimetres  
 (to nearest 0.1mm for OD up to 406.4mm)  
 (to nearest 1.0mm for OD 457mm and above)  
 t = Wall thickness to nearest 0.01mm

**Example**  
 nominal Size  
 Dn300 nPS12  
 OD = 323.9mm  
 W.t. = 9.53mm

Step 1. 323.9 - 9.53 = 314.37  
 Step 2. 314.37 x 9.53 = 2995.9461  
 Step 3. 2995.9461 x 0.02466  
 = 73.88kg/m

**Note:** InfraBuild Steel Centre reserve the right to change specifications without notice. Not all products are available at all InfraBuild Steel Centre branches. InfraBuild Steel Centre also has access to a wide network of products not necessarily listed in this book. Please check with your local InfraBuild Steel Centre branch for product availability.

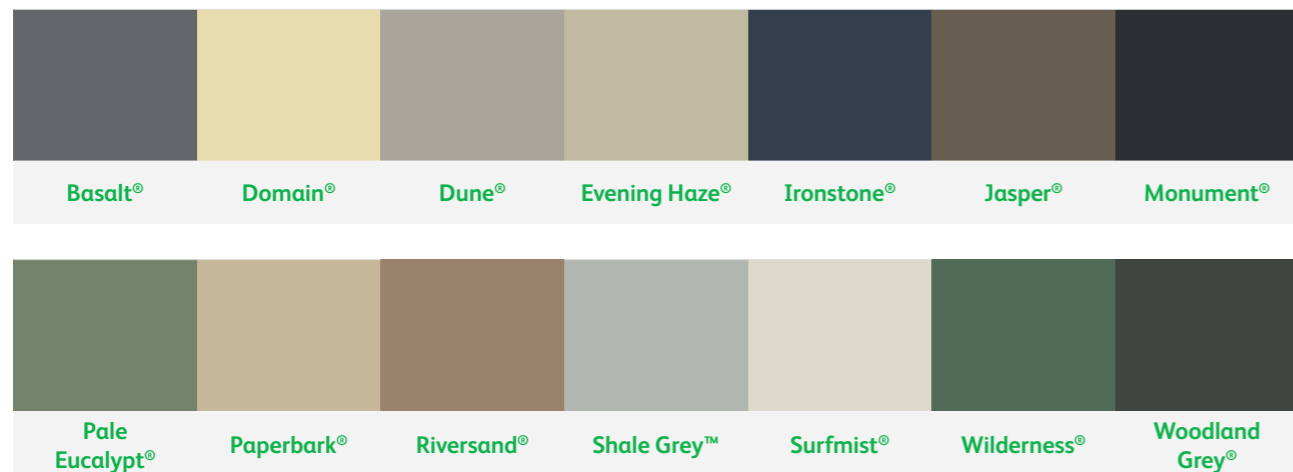
## Fencing



**Note:** Miniscreen not available in SA. Customscreen available in QLD and SA only.

Neetascreen		Smartascreen		Miniscreen		Customscreen	
Infill Sheet							
Dimension	Qty	Dimension	Qty	Dimension	Qty	Dimension	Qty
Height mm	3	Height mm	3	Height mm	3	Height mm	3
1190 (non std)		1190 (non std)		1190 (non std)		1190 (non std)	
1490		1490		1490		1490	
1790		1790		1790		1790	
2090		2090		2090		2090	
Non-standard		Non-standard		Non-standard		Non-standard	
Post							
Dimension	Qty	Dimension	Qty	Dimension	Qty	Dimension	Qty
Height mm	2	Height mm	2	Height mm	2	Height mm	2
2100		2100		2100		2100	
2400		2400		2400		2400	
2700		2700		2700		2700	
3000		3000		3000		3000	
Rails							
Dimension	Qty	Dimension	Qty	Dimension	Qty	Dimension	Qty
Universal Rail	2	Universal Rail	2	Miniscreen Rail	2	Customscreen Rail	2
Length mm		Length mm		Length mm		Length mm	
2350		2350		2350		2370	
3100 (raked panels only)		3100 (raked panels only)		3100 (raked panels only)		3100 (raked panels only)	
Miniscreen Centre Rail							
Dimension	Qty	Dimension	Qty	Dimension	Qty	Dimension	Qty
Length mm							
2350							
3100 (raked panels only)							
Fasteners							
Dimension	Qty	Dimension	Qty	Dimension	Qty	Dimension	Qty
Metal Tek Hex Head 10-16 x 16 (no neo)	17	Metal Tek Hex Head 10-16 x 16 (no neo)	17	Metal Tek Hex Head 10-16 x 16 (no neo)	17	Metal Tek Hex Head 10-16 x 16 (no neo)	17
				Ripple Tek 10 x 16-20	7		
Post Cap							
Dimension	Qty	Dimension	Qty	Dimension	Qty	Dimension	Qty
1		1		1		1	

### Standard Fencing Colour Range



**Note:** InfraBuild Steel Centre reserve the right to change specifications without notice. Not all products are available at all InfraBuild Steel Centre branches. InfraBuild Steel Centre also has access to a wide network of products not necessarily listed in this book. Please check with your local InfraBuild Steel Centre branch for product availability.



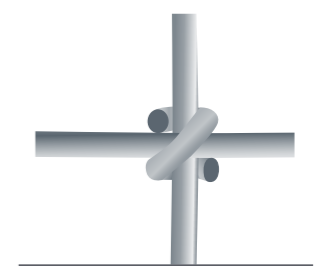
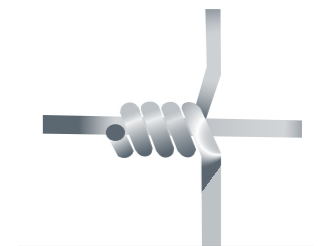
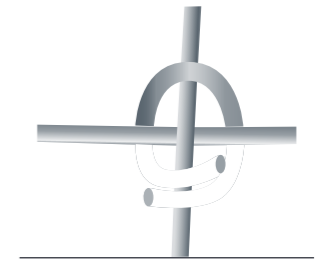






# Fencing and Fittings

## Fabricated Fencing

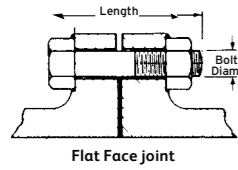


Description	Size (cm)	Finish	Length (m)	Weight (kg/roll)	Pack Size (rolls)		
Ringlock Heavy Galvanised Strongline (2.8mm Wire Top & Bottom)	6-70-30	Heavy Galvanised	200	78.0	9		
	6-90-30		200	83.0	9		
	7-90-30		200	93.0	9		
Ringlock Standard Galvanised	5-70-30	Galvanised	200	61.0	9		
	5-70-90		500	114.0	5		
	6-70-30		200	71.0	9		
	6-90-30		200	73.0	9		
	7-90-30		200	86.0	9		
	7-90-60		200	69.0	9		
	8-90-15		100	65.0	9		
	8-90-30		200	95.0	9		
	Hinge Joint Standard Galvanised (2.5mm Wire)		6-70-30	Galvanised	200	71.0	9
			6-90-30		200	73.0	9
7-90-30		200	86.0		9		
8-80-15		100	60.0		9		
8-90-30		200	95.0		9		
8-90-15		100	65.0		9		
Zedlock Heavy Galvanised Strongline (2.8mm Wire Top & Bottom)		6-70-30	Heavy Galvanised		200	76.0	9
		6-90-30			200	78.4	9
		7-90-30			200	88.0	9
		7-90-30			500	218.0	4
	7-90-45	500		193.5	MTO		
	8-90-30	200		97.5	9		
	13-90-15	100		86.7	MTO		
	15-150-15	100		111.2	MTO		
	Zedlock Heavy Galvanised	6-70-30		Heavy Galvanised	200	71.5	9
		6-70-45			200	65.0	9
7-90-30		200	84.0		9		
7-90-30		500	218.0		4		
7-90-45		200	75.0		MTO		
8-90-15		100	63.0		9		
8-90-30		200	93.6		9		
8-115-15		100	67.0		9		
Zedlock Economy Standard Galvanised (2.0mm Wire)		8-90-15	Galvanised		50	20.5	16
		8-90-15			100	41.0	9
	8-115-15	50		22.5	16		
Zedlock Dog Fence - Standard Galvanised (2.0mm Wire)	8-115-15	Galvanised	100	45.0	9		
	12-120-15		50	29.0	MTO		
	12-120-15		100	57.0	MTO		

Note: InfraBuild Steel Centre reserve the right to change specifications without notice. Not all products are available at all InfraBuild Steel Centre branches. InfraBuild Steel Centre also has access to a wide network of products not necessarily listed in this book. Please check with your local InfraBuild Steel Centre branch for product availability.

## I.S.O. Metric Hexagon Steel Bolts

(For use with AS.2129 Flanges)



Steel hexagon Bolts and Nuts (XOX) are recommended for use within a temperature range of -50°C to +300°C. Outside of this temperature range, Stud Bolts should be used as recommended in AS.2528.

A quick reference chart for sizing bolts and nuts for a range of regularly used standard flanges is given below:

APPLICABLE TO PLATE & FORGED STEEL LOOSE FLANGES ONLY

Integral valve flanges quite often differ in thickness to equivalent loose flanges. When integral flanges are involved due allowance should be made to bolt lengths.

Nominal Flange Size DN	Table D		Table E		Table F		Table H	
	No. Bolts Per Flange	XOX Bolt & Nut Dia. x lgth	No. Bolts Per Flange	XOX Bolt & Nut Dia. x lgth	No. Bolts Per Flange	XOX Bolt & Nut Dia. x lgth	No. Bolts Per Flange	XOX Bolt & Nut Dia. x lgth
15	4	M12 x 40mm*	4	M12 x 40mm*	4	M12 x 40mm*	4	M16 x 45mm*
20	4	M12 x 40mm*	4	M12 x 40mm*	4	M12 x 40mm*	4	M16 x 45mm*
25	4	M12 x 40mm*	4	M12 x 40mm*	4	M12 x 40mm*	4	M16 x 50mm*
32	4	M12 x 40mm*	4	M12 x 40mm*	4	M16 x 45mm*	4	M16 x 55mm*
40	4	M12 x 40mm*	4	M12 x 40mm*	4	M16 x 45mm*	4	M16 x 55mm*
50	4	M16 x 45mm*	4	M16 x 45mm*	4	M16 x 50mm*	4	M16 x 60mm*
65	4	M16 x 45mm*	4	M16 x 45mm*	8	M16 x 50mm*	8	M16 x 60mm*
80	4	M16 x 45mm*	4	M16 x 45mm*	8	M16 x 50mm*	8	M16 x 65mm*
100	4	M16 x 45mm*	8	M16 x 45mm*	8	M16 x 60mm*	8	M16 x 70mm*
125	8	M16 x 45mm*	8	M16 x 50mm*	8	M20 x 70mm*	8	M20 x 80mm*
150	8	M16 x 45mm*	8	M20 x 60mm*	12	M20 x 70mm*	12	M20 x 80mm*
200	8	M16 x 45mm*	8	M20 x 60mm*	12	M20 x 75mm*	12	M20 x 90mm*
250	8	M20 x 55mm*	12	M20 x 70mm*	12	M24 x 85mm*	12	M24 x 100mm*
300	12	M20 x 60mm*	12	M24 x 80mm*	16	M24 x 100mm*	16	M24 x 110mm*
350	12	M24 x 75mm*	12	M24 x 85mm*	16	M27 x 100mm*	16	M27 x 130mm*
400	12	M24 x 75mm*	12	M24 x 100mm*	20	M27 x 120mm*	20	M27 x 140mm*
450	12	M24 x 80mm*	16	M24 x 100mm*	20	M30 x 130mm*	20	M30 x 160mm*
500	16	M24 x 85mm*	16	M24 x 110mm*	24	M30 x 140mm*	24	M30 x 170mm*
600	16	M27 x 100mm*	16	M30 x 130mm*	24	M33 x 150mm*	24	M30 x 190mm*
700	20	M27 x 100mm*	20	M30 x 140mm*	24	M33 x 160mm*		
750	20	M30 x 120mm*	20	M33 x 150mm*	28	M33 x 170mm*		
800	20	M33 x 120mm*	20	M33 x 150mm*	28	M33 x 180mm*		
900	24	M33 x 140mm*	24	M33 x 170mm*	32	M36 x 200mm*		
1000	24	M33 x 140mm*	24	M36 x 180mm*	36	M36 x 220mm*		
1200	32	M33 x 160mm*	32	M36 x 200mm*	40	M39 x 240mm*		

- Notes:**
- All dimensions are in millimetres (mm).
  - High strength structural bolts to AS 1252 may be substituted for property class 8.8 bolts if agreed to by the purchaser.
  - Bolts to AS 1252 are heavy hexagon series and the selection of such bolts would be subject to space being available on the relevant flange.

### Bolt Hole Diameters

For bolts to M24, clearance hole 2mm larger. Above M24, clearance hole 3mm larger.

### XOX Bolts & Nuts

XOX is the trade term used for H.R.H. commercial steel bolts and nuts.

H.R.H. denotes Hexagon Head x Round Shank x Hexagon Nut.

XOX Bolting		
Temp. Range: -50°C to +300°C		
Flange Specifications		
Table	Bolts	Nuts
D, E, F	AS 1110 Gr.4.6 or AS 1111 Gr.4.6	AS 1112 Gr.5
H	AS 1110 Gr8.8	AS 1112 Gr.8

Bolt lengths listed apply to flat-faced or 1.6mm raised face flanges with allowance for 1.6mm gasket thickness. \*For approximate Stud Bolt Lengths take the XOX Bolt Length and add the metric diameter in mm rounded to the nearest 5mm increment up. Note: (This does not include length of point) This chart shows bolt diameters as recommended in AS.2129. Some of these are Non-preferred sizes e.g. (M27), (M33) and (M39) which are not readily available in Australia. Stud Bolts should be used as alternatives to bolts where the size is greater than M24 and it is therefore suggested that Stud Bolts as specified in AS.2528 or BS.4882 should be used. Inch series bolts interchangeable as follows:

For	Use	For	Use
1/4"	M6	7/8"	M24
5/16"	M8	1"	(M27)
3/8"	M10	1 1/8"	M30
1/2"	M12	1 1/4"	(M33)
5/8"	M16	1 3/8"	M36
3/4"	M20	1 1/2"	(M39)

Note: InfraBuild Steel Centre reserve the right to change specifications without notice. Not all products are available at all InfraBuild Steel Centre branches. InfraBuild Steel Centre also has access to a wide network of products not necessarily listed in this book. Please check with your local InfraBuild Steel Centre branch for product availability.





## Tie Wire

Item Category	Diameter (mm)	Finish	Length (m)	Weight (kg/roll)	Pack Size (rolls)
Tie Wire	1.6	Heavy Galvanised	3200	50	10
	2.0		2000	50	10
	2.50		1300	50	10
	0.7	Standard Galvanised	75	0.5	20
	0.90		75	0.5	20
	1.25		50	0.5	20
	1.57		30	0.5	20
	2.00		20	0.5	20
	1.6		PVC Coated	20	0.5
	1.6	20		0.5	20
	1.6	Stainless Steel	15	0.3	20
	1.25	Standard Galvanised (1kg)	100	1	12
	1.57		67	1	12
	2.00		40	1	12
1.25	300		3	6	
1.57	Standard Galvanised (3kg)	200	3	6	
2.00		120	3	6	
2.50		80	3	6	

## Barbed Wire

Description	Size (cm)	Finish	Length (m)	Weight (kg/roll)	Pack Size (rolls)
IOWA Barbed Wire - Low Tensile	2.50 mm	Galvanised	400	41.0	18
Barbed Wire - High Tensile	1.57 mm	Heavy Galvanised	500	22.0	36
	1.80 mm	Heavy Galvanised	500	27.0	36
Barbed Wire - High Tensile - Handy Pack	1.57 mm	Galvanised	30	1.9	3
			100	7.0	3



## Fence Wire

Description	Size (cm)	Finish	Length (m)	Weight (kg/roll)	Pack Size (rolls)
Plain Wire Heavy Galvanised	2.50	Heavy Galvanised - Supa-Ten High Tensile	1500	58	10
	2.50	Heavy Galvanised - Flexi-Ten Medium Tensile	1500	58	10
Plain Wire Standard Galvanised	2.80	Galvanised - Supa-Ten High Tensile	1000	48	10
	2.50	Galvanised - Supa-Ten High Tensile	1500	58	10
	2.50	Galvanised - Flexi-Ten Medium Tensile	1500	58	10
	4.00	Galvanised - Soft-Ten Soft Tensile	500	49	10
	3.15	Galvanised - Soft-Ten Soft Tensile	750	46	10
Plain Wire Handy Pack Standard Galvanised	2.50	Galvanised - Flexi-Ten Medium Tensile	250	10	10
	3.15	Galvanised - Soft-Ten Soft Tensile	250	16	10
Plain Wire Standard Galvanised Red Tag	2.50	Galvanised - High Tensile Red Tag	1500	58	MTO
	2.50	Galvanised - Medium Tensile Red Tag	1500	58	MTO
Tie Wire Heavy Galvanised Soft	1.60		3200	50	MTO
	2.00	Galvanised - Soft	2000	50	MTO
	2.50		1300	50	10



## Trellis Wire

Description	Size (cm)	Finish	Length (m)	Weight (kg/roll)	Pack Size (rolls)
Trellis Wire Heavy Galvanised	2.00	High Tensile	2000	50	10
	2.65		1000	43	10
	2.85		1000	50	10
	3.15		1000	61	10



## Netting

### Animal

Description	Height (cm)	Aperture (cm)	Wire Diameter (mm)	Finish	Length (m)	Pack Size (rolls)	Weight (kg/roll)
Vermin Netting	15	1.3	0.56	Standard Galvanised	50	5	2.0
	30	1.3	0.56		50	5	4.4
	60	1.3	0.56		50	5	10.2
	90	1.3	0.56		2	6	0.6
Bird Netting	90	1.3	0.56	Standard Galvanised	5	6	1.6
	90	1.3	0.56		10	3	3.2
	90	1.3	0.56		50	5	13.7
	120	1.3	0.56		50	5	20.0
	180	1.3	0.56		50	5	29.0
Animal Netting	90	3	0.90	Standard Galvanised	5	6	2.5
	90	3	0.90		10	3	5.0
	90	3	0.90		50	5	20.5
	120	3	0.90		50	5	27.0
Chicken Netting	180	3	0.90	Standard Galvanised	50	5	40.0
	90	5	1.00		5	6	1.5
	90	5	1.00		10	3	3.0
	90	5	1.00		50	5	12.6
Chicken Netting	120	5	1.00	Standard Galvanised	10	3	3.2
	120	5	1.00		50	5	17.5
	180	5	1.00		50	5	26.0



### Hexagonal

Description	Height (cm)	Aperture (cm)	Wire Diameter (mm)	Finish	Length (m)	Pack Size (rolls)	Weight (kg/roll)
Hexagonal Netting - Heavy Galvanised	180	4	1.4	Heavy Galvanised	50	7	73.0
	120	4	1.4		50	7	49.0
	105	4	1.4		50	16	44.0
	105	4	1.4		100	9	87.0
	90	4	1.4		50	16	38.0
	90	4	1.4		100	9	75.0
	60	4	1.4		50	7	26.0
	30	4	1.4		100	18	28.0



## Posts

Item Category	Finish	Length (cm)	Weight (kg)
Livestock Premium Posts	Hot-Dipped Galvanised	150	2.85
	Hot-Dipped Galvanised	165	3.2
	Hot-Dipped Galvanised	210	4.1
	Hot-Dipped Galvanised	240	4.7
Livestock Posts Black Bituminous Coating	Black Bituminous	135	2.6
	Black Bituminous	150	2.8
	Black Bituminous	165	3.1
	Black Bituminous	180	3.4
	Black Bituminous	210	4
	Black Bituminous	240	4.6
Livestock "XL" Premium Posts	Black Bituminous	180	5.2
Black Imported Fence Posts	Black Bituminous	165	2.9
	Black Bituminous	180	3.2
Economy Black Imported Fence Posts	Black Bituminous	45	0.7
	Black Bituminous	60	0.9
	Black Bituminous	90	1.4
	Black Bituminous	135	2.1
	Black Bituminous	150	2.3
	Black Bituminous	165	2.6
	Black Bituminous	180	2.8
	Black Bituminous	240	3.8



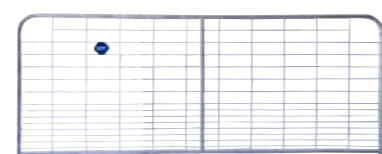
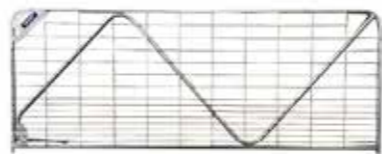
## Safety Yellow Post Caps

- Can be used with Cyclone economy posts, Cyclone traditional posts and Cyclone Livestock posts
- Fits most Y posts
- Bright yellow for visibility and safety

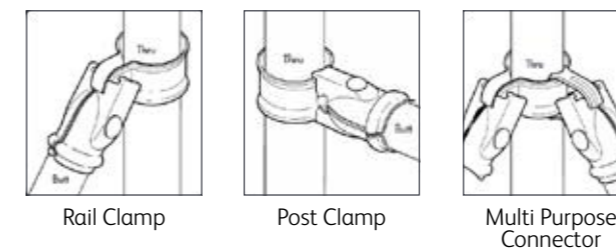


# Gates

Description	Finish	Height (mm)	Width	Pack Size (gates)	Weight (kg)
	Hot-Dipped Galvanised	1170	2370 mm (8 FT)	7	25
	Hot-Dipped Galvanised	1170	2670 mm (9 FT)	7	27
	Hot-Dipped Galvanised	1170	2970 mm (10 FT)	7	30
	Hot-Dipped Galvanised	1170	3270 mm (11 FT)	7	32
	Hot-Dipped Galvanised	1170	3570 mm (12 FT)	7	34
	Hot-Dipped Galvanised	1170	3870 mm (13 FT)	7	37
	Hot-Dipped Galvanised	1170	4170 mm (14 FT)	7	39
N-SURE Gate	Hot-Dipped Galvanised	1170	4470 mm (15 FT)	7	42
	Hot-Dipped Galvanised	1170	4770 mm (16 FT)	7	43
	Hot-Dipped Galvanised	1170	5370 mm (18 FT)	7	48
	Hot-Dipped Galvanised	1170	6070 mm (20 FT)	7	54
	Hot-Dipped Galvanised	1500	3750 mm (12 FT)	7	38
	Hot-Dipped Galvanised	1500	4170 mm (14 FT)	7	43
	Hot-Dipped Galvanised	1800	3570 mm (12 FT)	7	44
	Hot-Dipped Galvanised	1800	4170 mm (14 FT)	7	49
Access Gate	Hot-Dipped Galvanised	1170	1000 mm (3 FT)	7	9
	Hot-Dipped Galvanised	1170	1170 mm (4 FT)	7	12
	Hot-Dipped Galvanised	1170	1470 mm (5 FT)	7	15
	Hot-Dipped Galvanised	1170	1770 mm (6 FT)	7	17
Vertical Brace Gate	Hot-Dipped Galvanised	1170	2370 mm (8FT)	7	21
	Hot-Dipped Galvanised	1170	2970 mm (10 FT)	7	25
	Hot-Dipped Galvanised	1170	3570 mm (12 FT)	7	29
	Hot-Dipped Galvanised	1170	4170 mm (14 FT)	7	34
	Hot-Dipped Galvanised	1170	4770 mm (16 FT)	7	39
	Hot-Dipped Galvanised	1170	2370 mm (8 FT)	7	25
	Hot-Dipped Galvanised	1170	2970 mm (10 FT)	7	30
Galvanised 5 Bar Gate	Hot-Dipped Galvanised	1170	3570 mm (12 FT)	7	34
	Hot-Dipped Galvanised	1170	4170 mm (14 FT)	7	41
	Hot-Dipped Galvanised	1170	4770 mm (16 FT) Mesh Infill	7	46



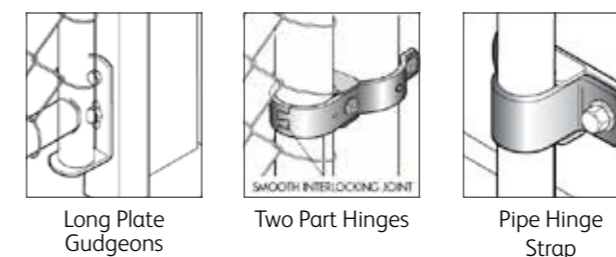
# Universal Fence Fitting System



Description	Finish	Size mm
Rail Clamps	Galvanized	25, 32, 40, 50
Post Clamps	Galvanized	25, 32, 40, 50, 65, 80, 100
Multi Purpose Connector	Galvanized	

Note: All rail and post clamps are interchangeable with each other.

# Hinges & Gudgeons



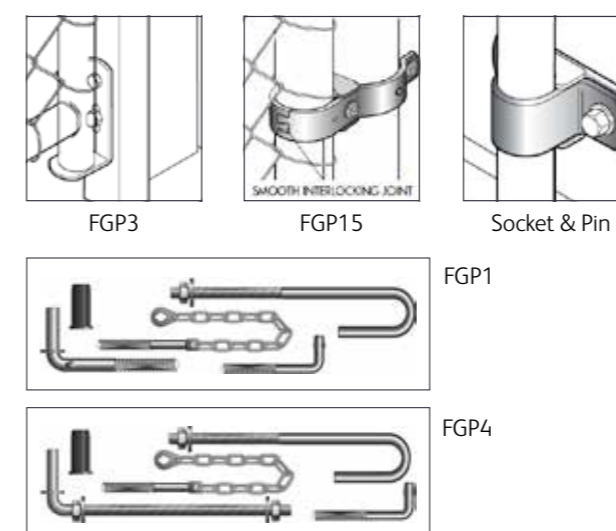
Description	Finish	Size mm
Long Plate Gudgeons	Galvanized	20NB, 25NB
Two Part Hinges	Galvanized	Post - 50NB, 80NB Gate - 25NB
Pipe Hinge Strap	Galvanized	25NV

# Temporary Fence Clamps



Fit Pipe Size mm
32 x 32, 40 x 40, 50 x 50

# Hinges & Gudgeons



Description
FGP1 – Ring Chain Catches, Screw In with gudgeons and clamps (Galvanized)
FGP3 – Ring Chain Catches, Screw In with gudgeons and clamps (Galvanized)
FGP4 – Ring Chain Catches, Screw In with gudgeons and clamps (Galvanized)
FGP15 – Ring Chain Catches, Screw In with gudgeons and clamps (Galvanized)
Socket & Pin





We are the machines and equipment which cultivate and house Australia's food source.

InfraBuild Steel Centre can provide a total steel solution to simplify your farm steel and fencing needs from start to finish. We also supply steel to the many manufacturers who make the equipment which our farmers use.

## Fasteners



### Shed Tek<sup>®</sup>

**14 x 22** – Fine thread. 14g screws with 5/16" head size to eliminate driver changes, generally used in shed construction with plates and cleats.  
**14 x 25** – Coarse thread. 14g screws with 5/16" head size to eliminate driver changes, generally used in shed construction with plates and cleats.



### AutoTek<sup>®</sup>

**M5.5 x 39** – Fixing corrugated roof sheet to steel purlins 1.9mm to 3.5mm.  
**M5.5 x 50** – Fixing square rib roof sheet to steel purlins 1.9mm to 3.5mm.



### RippleTek<sup>®</sup>

**10 x 20** – Fixing mini corrugated and corrugated sheets to steel.  
**10 x 30** – Fixing mini corrugated and corrugated sheets to timber.



### Series 500 SuperTEK<sup>®</sup>

**12 x 32** – Wafer head for flush fit needs such as walkways. Drills 3mm to 12.5mm hot rolled steel.  
**12 x 32, 12 x 50, 12 x 65** – Hex head with or without seal. Drills 3mm to 12.5mm hot rolled steel for roof and wall cladding, pipe and cable saddles, metal deck clips, brackets, signage and plumbing applications.



### RoofZip<sup>®</sup>

**M6 x 25** – Fixing wall cladding, stitching & general fastening into both timber & steel up to 1.5mm.  
**M6 x 50** – Fixing corrugated roof sheet to timber, metal batten & steel purlin up to 1.5mm. Also suits square profile sheet fixed to metal battens & steel purlins up to 1.5mm.  
**M6 x 25** – Fixing wall cladding, stitching & general fastening into both timber & steel up to 1.5mm.



### Hi-Teks<sup>®</sup> – General Purpose Fasteners

**10 x 16** – Used in fencing, steel house frames, DuraGal<sup>®</sup> flooring systems, shed and wall cladding with seal.  
**12 x 20** – Used in fencing, steel house frames, sheds and wall cladding with seal.  
**14 x 22** – Used in DuraGal<sup>®</sup> flooring systems, sheds and heavier assembly.



### BattenZip<sup>®</sup>

**M5.5 x 40** – Fixing metal roof battens to either timber or steel rafters.



### PolyZip<sup>®</sup>

**M6.5 x 50** – Fixing corrugated polycarbonate sheet to timber, metal batten and steel purlin up to 1.5mm, also suits square profile fixed to metal battens and steel purlins up to 1.5mm.  
**M6.5 x 65** – Fixing square profile polycarbonate sheet to timber battens.



### WingTek<sup>®</sup>

**6 x 50, 8 x 32, 10 x 40, 10 x 45, 10 x 55, 10 x 75, 14 x 65** – Countersunk ribbed head for applications where timber is fastened to steel, gates, fences, decking but not recommended for treated timber decks to steel.



### Bugle Batten

**14 x 50, 14 x 75, 14 x 100** – Countersunk head for fixing timber battens to rafters, fastening heavy timbers, fencing, boardwalks, pergolas, plates and hinges to timber.



### Fibreglass Tek<sup>®</sup>

**M6.5 x 65, M6.5 x 85** – 32mm weatherlok fixing fibreglass sheet to steel up to 3mm, drills the expansion hole during installation.

**Note:** InfraBuild Steel Centre reserve the right to change specifications without notice. Not all products are available at all InfraBuild Steel Centre branches. InfraBuild Steel Centre also has access to a wide network of products not necessarily listed in this book. Please check with your local InfraBuild Steel Centre branch for product availability.



## Geometry and Mensuration

Shape	Area or Volume	Formulae	Results – Area or Volume
Rectangles	Area	Multiply length by width	A (m) x B (m) = Square metres
Squares	Area	Multiply length by width	A (m) x B (m) = Square metres
Cubes	Volume	Length x Width x Height	A (m) x B (m) x H (m) = Cubic metres
Circles	Circumference	Multiply diameter by Pi (or 3.142858)	D (m) x Pi = metres
Circles	Area	Pi x Radius x Radius [or R <sup>2</sup> ]	(R <sup>2</sup> ) x Pi = Square metres
Sector of a circle	Area	Length of Arc x Half Radius	A (m) x R/2 = Square metres
Triangles	Area	Base/2 x Height	B/2 (m) x H = Square metres
Ellipse	Area	Long axis x Short axis x 0.7854	D1 (m) x D2 (m) x 0.7854 = Square metres
Ellipse	Volume	Long axis x Short axis x 0.7854 x Length	D1 (m) x D2 (m) x 0.7854 = Square metres
Cylinder	Area	Circumference of base x Height	D (m) x Pi x H (m) = Square metres
Cylinder	Volume	Area of base x Height	(R <sup>2</sup> ) x Pi x H (m) = Cubic metres
Sphere	Area	Diameter x Diameter x Pi	D (m) x D (m) x Pi = Cubic metres
Sphere	Volume	Diameter x Diameter x Diameter x 0.5236	D (m) x D (m) x D (m) x 0.5236 = Cubic metres
Pyramid	Area	Perimeter of base x Slant Height/3	[A (m) + B (m) x 2 x Slant height]/3 = Square metres
Pyramid	Volume	Area of base x Vertical Height/3	[A (m) + B (m) x H (m)]/3 = Cubic metres

## Gauge Conversions

### Conversion Factors

mm	Gauge	Imperial	
		Decimal	Inch
0.40	26		
0.60	24		
0.80	22	0.032	1/32
1.00	20		
1.20	18	0.047	3/64
1.40	17	0.055	
1.60	16	0.063	1/16
1.80	15	0.071	
2.00	14	0.080	5/64
2.30	13	0.092	3/32
2.50	12	0.098	
2.80	11	0.110	
3.00	10	1.125	1/8
3.50	9	0.138	
4.00	8	0.160	5/32
5.00	6	0.197	3/16
6.00	4	0.236	
6.30	3	0.250	1/4
8.00	2	0.315	5/16
9.00	1	0.354	
10.00	0	0.394	3/8
12.70		0.500	1/2
16.00		0.625	5/8
19.00		0.750	3/4
22.00		0.875	7/8
25.40		1.000	1

**Note:** InfraBuild Steel Centre reserve the right to change specifications without notice. Not all products are available at all InfraBuild Steel Centre branches. InfraBuild Steel Centre also has access to a wide network of products not necessarily listed in this book. Please check with your local InfraBuild Steel Centre branch for product availability.

## Conversion Tables

Mass Conversions kilos/pounds			
Kilogram kg	Pound lb	Pound lb	Kilogram kg
1	2.205	1	0.4536
2	4.409	2	0.9072
3	6.614	3	1.361
4	8.818	4	1.814
5	11.02	5	2.268
6	13.23	6	2.722
7	15.43	7	3.175
8	17.64	8	3.629
9	19.84	9	4.082
10	22.05	10	4.536
50	110.2	50	22.68
100	220.5	10	45.36

Mass Conversions tonnes/tons			
Tonnes	Tons	Tons	Tonnes
1	0.9842	1	1.016
2	1.968	2	2.032
3	2.953	3	3.048
4	3.937	4	4.064
5	4.921	5	5.080
6	5.905	6	6.096
7	6.889	7	7.112
8	7.874	8	8.128
9	8.858	9	9.144
10	9.842	10	10.16
50	49.21	50	50.80
100	98.42	10	101.60

Length Conversions cms/inches			
centimetres (cm)	inches (in)	inches (in)	centimetres (cm)
1	0.3937	1	2.54
2	0.7874	2	5.08
3	1.1810	3	7.62
4	1.5750	4	10.16
5	1.9690	5	12.70
6	2.3620	6	15.24
7	2.7559	7	17.78
8	3.1500	8	20.32
9	3.5430	9	22.86
10	3.9370	10	25.40
50	19.690	50	127.0
100	39.370	10	254.0

Length Conversions klms/miles			
Kilometre (km)	Miles	Miles	Kilometre (km)
1	0.6214	1	1.609
2	1.243	2	3.219
3	1.864	3	4.828
4	2.485	4	6.437
5	3.107	5	8.047
6	3.728	6	9.656
7	4.350	7	11.27
8	4.971	8	12.87
9	5.592	9	14.48
10	6.214	10	16.09
50	31.07	50	80.47
100	62.14	10	160.90

Pressure Conversion psi/MPa			
psi	MPa	MPa	psi
1	0.006895	0.1	14.5
50	0.3447	0.2	29.01
100	0.6895	0.3	43.51
200	1.379	0.4	58.02
300	2.068	0.5	72.52
400	2.758	0.6	87.02
500	3.447	1.0	145.0
600	4.137	1.5	217.6
700	4.826	2.0	290.1
800	5.516	2.5	362.6
900	6.205	3.0	435.1
1000	6.895	3.5	507.6
1100	7.584	4.0	580.2
1200	8.274	4.5	652.7
1300	8.963	5.0	725.2
1400	9.653	5.5	797.7

Pressure Conversion psi/MPa			
psi	MPa	MPa	psi
1500	10.34	6.0	870.2
1600	11.03	6.5	942.7
1700	11.72	7.0	1015
1800	12.41	8.0	1160
1900	13.10	9.0	1305
2000	13.79	10.0	1450
2100	14.48	11.0	1595
2200	15.17	12.0	1740
2300	15.86	13.0	1885
2400	16.55	14.0	2031
2500	17.24	15.0	2176
2600	17.93	16.0	2321
2700	18.62	17.0	2466
2800	19.31	18.0	2611
2900	19.99	19.0	2756
3000	20.68	20.0	2901

**Note:** InfraBuild Steel Centre reserve the right to change specifications without notice. Not all products are available at all InfraBuild Steel Centre branches. InfraBuild Steel Centre also has access to a wide network of products not necessarily listed in this book. Please check with your local InfraBuild Steel Centre branch for product availability.

# Useful Conversion Factors

Imperial to Metric (approximate)

**“SI” denotes the INTERNATIONAL SYSTEM of Metric Units adopted in Australia**

This table may be used in two ways:  
Multiply column “A” by column “B” to obtain column “C”  
Alternatively Divide column “C” by column “B” to obtain column “A”

Remarks	A Multiply	B By	C To obtain
AREA: Symbol m <sup>2</sup> The SI unit of AREA is the SQUARE METRE.	Square inches	645.16	mm <sup>2</sup>
	Square feet	0.929	m <sup>2</sup>
	Square yards	0.836	m <sup>2</sup>
	Acre	4047	m <sup>2</sup>
	Hectare (ha)	10 000	m <sup>2</sup>
DENSITY: Symbol kg/m <sup>3</sup> The SI unit of DENSITY is the kilogram per cubic metre.	lb/in <sup>3</sup>	27.68	t/m <sup>3</sup>
	lb/ft <sup>3</sup>	16.02	kg/m <sup>3</sup>
	lb/yd <sup>3</sup>	0.5933	kg/m <sup>3</sup>
ENERGY: Symbol J The SI unit of ENERGY is the JOULE. 1 J = 1 N.m A joule is the energy expended or the work done when a force of one newton moves the point of application a distance of one metre in the direction of that force.	1.ELECTRICAL ENERGY kilowatt hour (kW.h)		MJ
	2.HEAT ENERGY British thermal unit (Btu)		kJ
	Btu/gal	1.055	kJ/L ++
	Btu/ft <sup>3</sup>	0.2321	kJ/M <sup>3</sup>
	3.MECHANICAL ENERGY foot poundal		J
FORCE: Symbol N (NEWTON) The SI unit of FORCE (kg.m/s <sup>2</sup> ) has been given the special name – NEWTON. The newton is the force which when applied to a body having a mass of one kilogram, causes an acceleration of one metre per second in the direction of application of the force.	ft.pdl	.04214	J
	inch pound-force		J
	in.lbf	0.1130	J
	foot pound-force		J
	ft.lbf	1.356	J
	foot ton force		kJ
	ft.tonf	3.037	kJ
	Metre kilogram force		J
	m.kgf	9.807	J
	FORCE PER UNIT LENGTH: The SI unit is NEWTON PER METRE: Symbol N/m	pounds-force per inch (lbf/in)	175.1
pounds-force per foot (lbf/ft)		14.59	N/m
ton-force per foot (ton/ft)		32.69	kN/m

### TEMPERATURE

The SI unit of TEMPERATURE is the KELVIN - Symbol K. For most practical purposes of temperature measurement and most calculations involving temperatures, degrees Celsius, symbol °C will be used.

#### DEGREES FAHRENHEIT TO CELSIUS

$$(^{\circ}\text{F} - 32) \times 5/9 = ^{\circ}\text{C}$$

#### DEGREES CELSIUS TO FAHRENHEIT

$$(^{\circ}\text{C} \times 9/5) + 32 = ^{\circ}\text{F}$$

# Useful Conversion Factors

Imperial to Metric (approximate)

**“SI” denotes the INTERNATIONAL SYSTEM of Metric Units adopted in Australia**

This table may be used in two ways:  
Multiply column “A” by column “B” to obtain column “C”  
Alternatively Divide column “C” by column “B” to obtain column “A”

Remarks	A Multiply	B By	C To obtain	
LENGTH: Symbol m The SI unit of LENGTH is the METRE.	inches	25.4	millimetres (mm)	
	feet	0.3048	metres (m)	
	yards	0.9144	metres (m)	
	chain	20.12	metres (m)	
	mile	1609	metres (m)	
	mile	1.609	kilometres (km)	
MASS: Symbol kg The SI unit of MASS is the KILOGRAM.	ounce	28.35	grams (g)	
	pound	0.4536	kilograms (kg)	
	slug	14.59	kg	
	ton (2240 lb)	1016.05	kg	
	short ton (2000 lb) ton (2240 lb)	907.2 1.016	kg tonne (t)	
POWER: Symbol W The SI unit of POWER is the WATT.	pounds per foot (lb/ft)	1.488	kg/m	
	pounds per yard (lb/yd)	0.4961	kg/m	
PRESSURE: Symbol Pa The SI unit of PRESSURE or stress is the NEWTON PER SQUARE METRE which has been given the name PASCAL. 1 N/m <sup>2</sup> = 1Pa = 0.000145lbf/in <sup>2</sup> A pascal is the pressure or stress which arises when a force of one newton is applied uniformly over an area of one square metre.	Btu per hour (Btu/hr)	0.2931	W	
	horsepower (hp)	0.7457	kW	
	ton of refrigeration	3.517	kW	
	Vertical column (head) of water. (H <sub>2</sub> O at 20°C)	lbf/in <sup>2</sup>	6.895	kPa
		kip/in <sup>2</sup> (1000 psi)	6.895	MPa
		lbf/ft <sup>2</sup> 47.88 Pa	47.88	Pa
		kgf/cm <sup>2</sup>	98.07	kPa
		bar	100	kPa
	metres of water	metres of water	9.79	kPa
		feet of water	2.984	kPa
		feet of water	0.1333	kPa
		torr (vacuum)	0.1333	kPa
1mm Hg. (mercury) 1in. Hg. (mercury) atmosphere (atm) microns		3.386 101.325 0.133	kPa kPa Pa	
TORQUE: Symbol N.m (Moment of force) The SI unit of TORQUE is the NEWTON METRE. The newton metre is the work done when a force of one newton moves the point of application a distance of one metre in the direction of that force. 1 N.m = 1 J	Poundal-foot		N.m	
	pdl.ft	.04214	N.m	
	pound-force inch		N.m	
	lbf.inch	0.1130	N.m	
	lbf.inch	1.152	kgf.cm	
	pound-force feet		N.m	
	lbf.ft	1.356	N.m	
lbf.ft	13.83	kgf.cm		
VELOCITY: Symbol m/s The SI unit of VELOCITY is the METRE PER SECOND.	ton-force feet		kN.m	
	tonf.ft	3.037	kN.m	
	kilogram-force		N.m	
	kgf.m	9.807	N.m	
	kgf.cm	0.09807	N.m	
ft. per second (ft/s)	ft. per second (ft/s)	0.3048	m/s	
	ft. per minute (ft/min)	0.00508	m/s	
	miles per hour	0.4470	m/s	
	miles per hour	1.609	km/h	

**Note:** InfraBuild Steel Centre reserve the right to change specifications without notice. Not all products are available at all InfraBuild Steel Centre branches. InfraBuild Steel Centre also has access to a wide network of products not necessarily listed in this book. Please check with your local InfraBuild Steel Centre branch for product availability.

## Useful Conversion Factors

Imperial to Metric (approximate)

“SI” denotes the INTERNATIONAL SYSTEM of Metric Units adopted in Australia

This table may be used in two ways:  
Multiply column “A” by column “B” to obtain column “C”  
Alternatively Divide column “C” by column “B” to obtain column “A”

Remarks	A Multiply	B By	C To obtain
VOLUME: CAPACITY: Symbol m <sup>3</sup> The SI unit of VOLUME is the CUBIC METRE.	DRY:		
	cubic inch (in <sup>3</sup> )	16387	mm <sup>3</sup>
	cubic foot (ft <sup>3</sup> )	0.02832	m <sup>3</sup>
	cubic yard (yd <sup>3</sup> )	0.7646	m <sup>3</sup>
	litre (L) ++	1 000 000	mm <sup>3</sup>
	litre (L) ++	0.001	m <sup>3</sup>
NOTE: ++ Capital “L” is now the legal preferred symbol for litre in Australia.	gallons (Imp.)	0.004546	m <sup>3</sup>
	IMPERIAL LIQUID		
	fluid ounce	28.41	millilitre (ml)
	pint (20 fl. oz)	568.3	millilitre (ml)
	quart (2 pints)	1.137	litre (L) ++
	gallon (Imp.)	4.546	litre (L) ++
	gallon (US)	3.785	litre (L) ++
litre (water 4oC)	1.000	kilogram (kg)	
VOLUME: RATE OF FLOW Symbol m <sup>3</sup> /s The SI unit of VOLUME RATE OF FLOW is the CUBIC METRE PER SECOND.	Imp. gallons (water 20oC)	4.536	kilogram (kg)
	Imp. gal. per minute (gal/min)	.0000758	m <sup>3</sup> /s
	Imp. gal. per minute	0.272765	m <sup>3</sup> /hr
	Imp. gal. per minute	.0758	litre per second (L/s)
	cubic ft. per minute	.000472	m <sup>3</sup> /s
SUNDRY ITEMS:	cubic ft. per minute	0.472	litre per second (L/s) 1m <sup>3</sup> = 1KI
	miles per gallon	0.3540	km per litre
	gallons per mile	2.825	litres per km

### TEMPERATURE

The SI unit of TEMPERATURE is the KELVIN - Symbol K. For most practical purposes of temperature measurement and most calculations involving temperatures, degrees Celsius, symbol °C will be used.

#### DEGREES FAHRENHEIT TO CELSIUS

$$(^{\circ}\text{F} - 32) \times 5/9 = ^{\circ}\text{C}$$

#### DEGREES CELSIUS TO FAHRENHEIT

$$(^{\circ}\text{C} \times 9/5) + 32 = ^{\circ}\text{F}$$

## Handy Tips

### To calculate the mass of flats, squares and rounds.

**Flats:** Width (mm) x Thickness (mm) x 0.00785 = kg/m

**Squares:** Size (mm<sup>2</sup>) x 0.00785 = kg/m

**Rounds:** Diameter (mm<sup>2</sup>) x 0.006165 = kg/m

Some Mass Calculations as indicated on pages 13-15 include a 2.5 per cent rolling tolerance.

### To calculate the mass of steel plate sections

Mass = t x 7.850 x (L x W) where:

Mass = mass/metre<sup>2</sup>

t = thickness of plate

L = length of plate

W = width of plate

To calculate the mass for Floor plate, add 2 kg/m<sup>2</sup>

kg/m

mm

m

m

### To calculate the mass of steel circular hollow sections (CHS) (as used in Australian Standards AS/NZD 1163)

Circular sections  
Mass = (OD - wt) x wt x 0.0246615.

where: Mass = mass/metre

OD = outside diameter

wt = section thickness

kg/m

mm

mm

## Handy Tips

Property of Steel	Symbol	Value	To determine the length of conveyor belting
Young's Modulus of Elasticity	E	200 x 10 <sup>3</sup> MPa	Measure in inches from the outside of the roll to the opposite side of the centre opening S. Count the number of layers or turns of belt N. C is constant = 0.2618 L = S x N x C = Length in feet/3.28 = metres eg. 26" x 61 x 0.2618 = 415.22' divide by 3.28 = 126.6m
Shear Modulus of Elasticity	G	80 x 10 <sup>3</sup> MPa	
Density	p	7850 kg/m <sup>3</sup>	
Poisson's Ratio	v	0.25	
Coefficient of Thermal Expansion	α <sub>t</sub>	11.7 x 10 <sup>-6</sup> per °C	

## Relevant Australian Standards

<b>AS 1074:1989</b>	Steel tubes and tubulars for ordinary service
<b>AS 1085.1:2002 Supp 2017</b>	Railway track material - Steel rails - History (Supplement 1 to AS 1085.1-2002)
<b>AS 1085.17:2003 (R2013)</b>	Railway track material Steel sleepers
<b>AS/NZS 1163:2016</b>	Cold-formed structural steel hollow sections
<b>AS/NZS 1365:1996 (R2016)</b>	Tolerances for flat-rolled steel products
<b>AS 1397:2011/Amdt 1-2012</b>	Continuous hot-dip metallic coated steel sheet and strip - Coatings of zinc and zinc alloyed with aluminium and magnesium
<b>AS 1442:2007 (R2017)</b>	Carbon steels and carbon-manganese steels - Hot rolled bars and semi-finished products
<b>AS 1443-2004</b>	Carbon and carbon-manganese steel - Cold-finished bars
<b>AS 1444:2007 (R2017)</b>	Wrought alloy steels - Standard, hardenability (H) series and hardened and tempered to designated mechanical properties
<b>AS 1445:2013</b>	Hot-dipped zinc-coated, aluminium/zinc-coated or aluminium/zinc/magnesium-coated steel sheet — 76 mm pitch corrugated
<b>AS 1447:2007 (R2017)</b>	Hot-rolled spring steels
<b>AS 1448:2007/Amdt 1-2008</b>	Carbon and carbon-manganese steels - Forgings (ruling section 300 mm maximum)
<b>AS 1450:2007 (R2017)</b>	Steel tubes for mechanical purposes
<b>AS/NZS 1594:2002 (R2016)</b>	Hot-rolled steel flat products
<b>AS/NZS 1595:1998 (R2016)/Amdt 1:2014</b>	Cold-rolled, unalloyed, steel sheet and strip
<b>AS 2551:1982 (R2016)</b>	Steel sheet and strip - Cold-rolled, electrolytic zinc-coated
<b>AS 3597-2008</b>	Structural and pressure vessel steel - Quenched and tempered plate
<b>AS/NZS 3678:2016</b>	Structural steel — Hot-rolled plates, floorplates and slabs
<b>AS/NZS 3679.1:2016</b>	Structural steel Part 1: Hot-rolled bars and sections
<b>AS/NZS 3679.2:2016</b>	Structural steel Part 2: Welded I sections
<b>AS/NZS 4496:1997 (R2016)</b>	Recommended practice for the colour coding of steel products
<b>AS/NZS 4600:2018</b>	Cold-formed steel structures
<b>AS/NZS 4671:2001</b>	Steel reinforcing materials
<b>SA TS 102:2016</b>	Structural steel — (Technical Specification) Limits on elements added
<b>SA TS 103:2016</b>	Structural steel — (Technical Specification) Limits on boron in parent materials.

# Important Details

## Your Local Outlet

### My Local InfraBuild Steel Centre outlet details

Phone:	Fax:	Email:
--------	------	--------

### My Local InfraBuild Steel Centre Account Representatives

#### Sales:

Phone:	Fax:	Email:
--------	------	--------

Phone:	Fax:	Email:
--------	------	--------

#### Credit:

Phone:	Fax:	Email:
--------	------	--------

Phone:	Fax:	Email:
--------	------	--------

### My Local InfraBuild Steel Centre Account Number

A/C N:

### My Industry Memberships

A/C N:



# Notes

---

---

---

---

---

---

---

---

---

---

---

---

---

---

---

---

---

---

---

---

---

---

---

---

---

---

---

---

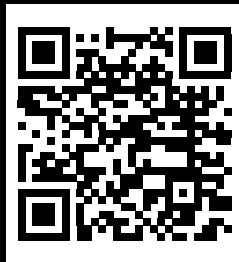
---

---





Find your local  
**InfraBuild Steel Centre:**  
[www.infrabuild.com](http://www.infrabuild.com)



---

Please note that any specifications or technical data referred to in this publication are subject to change and/or variation or improvement without notice and no warranty as to their suitability for any use is made. Photographs shown are representative only of typical applications. This brochure is not an offer to trade and shall not form any part of the trading terms in any transaction. Copyright 2019 InfraBuild Trading Pty Limited (ABN 50 007 519 646).